

G.C.N.: 41-116-46 (24 kW)

 **ARISTON**

# CLAS HE R

## INSTALLATION AND SERVICING INSTRUCTIONS

CONDENSING WALL-HUNG GAS BOILER

Country of Destination: GB/IE



HOT WATER | HEATING | RENEWABLE | AIR CONDITIONING

**ErP**

## INDEX

<b>Overview</b> .....	3	<b>Commissioning</b> .....	29
General Information .....	4	Initial Preparation .....	29
Advice for the Installer .....	4	Electricity Supply .....	29
CE Labelling .....	4	Filling the Heating System .....	29
Data Plate Symbols .....	4	Filling of the DHW System .....	29
Safety Regulations .....	5	Gas Supply .....	29
<b>Product description</b> .....	7	Water Treatment .....	29
Control Panel .....	7	First Ignition Operation .....	30
Overall View .....	8	Ignition procedure .....	31
Overall Dimension .....	8	Test Function and Combustion Analysis .....	32
Minimum Clearances .....	8	AUTO Function .....	34
<b>Installation</b> .....	9	<b>Boiler Protection Devices</b> .....	35
Reference Standards .....	9	Boiler Protection Devices .....	35
Installing the Boiler .....	13	Anti-Frost Device .....	35
Gas Connection .....	13	Table summarising error codes .....	35
Central Heating connection .....	14	<b>Settings - Adjustment - Problem Identification Menus</b>	
Instructions for Opening the Casing and Performing an Internal Inspection .....	14	Accessing the Menus .....	36
Water circuit diagram .....	15	<b>Maintenance</b>	
Connecting the Flue .....	16	General Comments .....	41
Fitting the Coaxial Flue (Ø 60/100 Horizontal) .....	17	Operational Test .....	41
Fitting the 5" Flue (Ø 80/125 Horizontal / Vertical) .....	18	Draining procedures .....	41
Fitting the Coaxial Flue (Ø 60/100 Vertical) .....	19	Cleaning the primary exchanger .....	41
Fitting the Twin Pipe (Ø 80/80) .....	20	Cleaning the trap .....	41
Electrical Connections .....	23	<b>Maintenance Guide</b>	
Electrical connection unit .....	23	General Access .....	42
Electrical Diagram .....	24	Electrical Unit .....	43
		Hydraulic Unit .....	45
		Burner Unit .....	47
		Annual Maintenance .....	52
		<b>Technical Information</b>	
		Technical Data .....	53
		ERP Data .....	54
		Product fiche .....	54
		Package Label - Instructions to filling .....	55
		Package fiche .....	56
		<b>Benchmark Commissioning Checklist</b> .....	59
		<b>Benchmark Service Interval Record</b> .....	60

**These instructions are suitable for CLAS HE R boilers :**

**Do not forget the Log Book!**

**The Benchmark Scheme**

**Benchmark places responsibilities on both manufacturers and installers. The purpose is to ensure that customers are provided with the correct equipment for their needs, that it is installed, commissioned and serviced in accordance with the manufacturer's instructions by competent persons and that it meets the requirements of the appropriate Building Regulations England & Wales. The Benchmark Checklist can be used to demonstrate compliance with Building Regulations England & Wales and should be provided to the customer for future reference.**

**Installers are required to carry out installation, commissioning and servicing work in accordance with the Benchmark Code of Practice which is available from the Heating and Hotwater Industry Council who manage and promote the Scheme. Visit [www.centralheating.co.uk](http://www.centralheating.co.uk) for more information.**

#### **To The Installer**

As part of the commissioning of this appliance it is vital that the Log Book is completed and given to the Householder. Please ensure that your customer is aware of the importance of keeping the Log Book safe as a record of the installation and the appliance service history.

Please ensure that your customer is aware of the correct operation of the system, boiler and controls.

MTS recommend the use of protective clothing, when installing and working on the appliance i.e. gloves..

#### **CUSTOMER CARE**

ARISTON, as a leading manufacturer of domestic and commercial water heating appliances is committed to providing high quality products and a high quality after sales service.

Advice on installation or servicing can also be obtained by contacting the ARISTON Technical and Customer Service Departments at High Wycombe.

##### **TECHNICAL DEPARTMENT**

Tel: 0333 240 7777

Fax: 01494 459775

##### **CUSTOMER SERVICE DEPARTMENT**

Tel: 0333 240 8777

Fax: 01494 459775

#### **GUARANTEE**

The manufacturer's guarantee is for 2 years from the date of purchase. The guarantee is invalidated if the appliance is not installed in accordance with the recommendations made herein or in a manner not approved by the manufacturer. To assist us in providing you with an efficient after sales service, please register the guarantee online at [www.ariston.co.uk](http://www.ariston.co.uk)

#### **CAUTION**

In the United Kingdom, installation, start-up, adjustments and maintenance, must be performed by a competent person only, in accordance with the current Gas Safety (Installation & Use) Regulations and the instructions provided.

In the Republic of Ireland, the installation and initial start up of the appliance must be carried out by a Competent Person in accordance with the current edition of I.S.813 "Domestic Gas Installations", the current Building Regulations, reference should also be made to the current ETCI rules for electrical installation.

**All GAS SAFE registered installers carry a GAS SAFE ID card, and have a registration number. Both should be recorded in your boiler Log Book. You can check your installer is GAS SAFE registered by calling GAS SAFE directly on:- 0800 408 5500.**

Improper installation may cause damage or injury to individuals, animals and personal property for which the manufacturer will not be held liable. To ensure efficient and safe operation it is recommended that the boiler is serviced annually by a competent person.

If it is known that a fault exists on the appliance, it must not be used until the fault has been corrected by a competent person.

**This instruction booklet is especially designed for appliances installed in the UK and the Republic of Ireland**

**ATTENTION!!**  
**THE INSTALLATION AND FIRST IGNITION OF THE BOILER MUST BE PERFORMED BY QUALIFIED PERSONNEL IN COMPLIANCE WITH CURRENT NATIONAL REGULATIONS REGARDING INSTALLATION, AND IN CONFORMITY WITH ANY REQUIREMENTS ESTABLISHED BY LOCAL AUTHORITIES AND PUBLIC HEALTH ORGANISATIONS.**  
**AFTER THE BOILER HAS BEEN INSTALLED, THE INSTALLER MUST ENSURE THAT THE END USER RECEIVES THE DECLARATION OF CONFORMITY AND THE OPERATING MANUAL, AND SHOULD PROVIDE ALL NECESSARY INFORMATION AS TO HOW THE BOILER AND THE SAFETY DEVICES SHOULD BE HANDLED.**



aggressive detergents, insecticides or toxic products. If the appliance is used in full compliance with current legislation, it will operate in a safe, environmentally-friendly and cost-efficient manner.

If using kits or optional extras, make sure they are authentic.

**CE labelling**

The CE mark guarantees that the appliance conforms to the following directives:

- **2009/142/CEE**  
relating to gas appliances
- **2004/108/CEE**  
relating to electromagnetic compatibility
- **92/42/CEE**  
relating to energy efficiency
- **2006/95/CEE**  
relating to electrical safety
- **2009/125/CE**  
Energy related Products
- **813/2013**  
Commission regulation (EU)

**Symbols used on the data plate**

1										2				
3					4		5							
										6				
										7				
8										Q	MAX	MIN		
9					12		13		14		15			
10		11				16		17		18				
										19				
										20				
										21				
										22				

**Legend :**

1. Brand
2. Manufacturer
3. Boiler model - Serial number
4. Commercial reference
5. certification number
6. Destination country - gas category
7. Gas setting
8. Installation type
9. Electrical data
10. Maximum domestic hot water pressure
11. Maximum heating pressure
12. Boiler type
13. NOx class / Efficiency
14. Input rating nominal heating
15. Power output heating
16. DHW specific flow rate
17. Boiler output efficiency
18. Input rating nominal DHW
19. Gases which may be used
20. Minimum ambient temperature for use
21. Max. central heating temperature
22. Max. domestic hot water temperature

**Advice for the installer**

These appliance are designed for use on open vented central heating systems. A kit is available to allow the boiler to be used on a sealed system. These appliances are designed for domestic use only. It should be connected to a heating system and a distribution network for domestic hot water, both of which must be compatible with its performance and power levels.

The use of the appliance for purposes other than those specified is strictly forbidden. The manufacturer cannot be held responsible for any damage caused by improper, incorrect and unreasonable use of the appliance or by the failure to comply with the instructions given in this manual.

Installation, maintenance and all other interventions must be carried out in full conformity with the governing legal regulations and the instructions provided by the manufacturer. Incorrect installation can harm persons, animals and possessions; the manufacturing company shall not be held responsible for any damage caused as a result. The boiler is delivered in a carton. Once you have removed all the packaging, make sure the appliance is intact and that no parts are missing. If this is not the case, please contact your supplier.

Keep all packaging material (clips, plastic bags, polystyrene foam, etc.) out of reach of children as it may present a potential hazard.

In the event of a fault and/or malfunction, turn the appliance off, turn off the gas cock and do not attempt to repair it yourself. Contact a qualified professional instead.

Before any maintenance or repair work is performed on the boiler, make sure you have disconnected it from the electricity supply by switching the external bipolar switch to the "OFF" position and removing the fuse.

All repairs, which should only be performed using original spare parts, should be carried out by a qualified professional. Failure to comply with the above instructions could compromise the safety of the appliance and invalidate all liability on the part of the manufacturer.

In the event of any maintenance or other structural work in the immediate vicinity of the flue or flue gas exhaust devices and their accessories, switch the appliance off by switching the external bipolar switch to the "OFF" position and shutting off the gas control valve. When the work has been completed, a qualified technician must check the efficiency of the flue and the devices.

Turn the boiler off and turn the external switch "OFF" to clean the exterior parts of the appliance.

Clean using a cloth dampened with soapy water. Do not use

## SAFETY REGULATION

Key to symbols:



Failure to comply with this warning implies the risk of personal injury, in some circumstances even fatal



Failure to comply with this warning implies the risk of damage, in some circumstances even serious, to property, plants or animals.

**Install the appliance on a solid wall which is not subject to vibration.**

Noisy operation.



**When drilling holes in the wall for installation purposes, take care not to damage any electrical wiring or existing piping.**

Electrocution caused by contact with live wires.

Explosions, fires or asphyxiation caused by gas leaking from damaged piping.



Damage to existing installations.

Flooding caused by water leaking from damaged piping.



**Perform all electrical connections using wires which have a suitable section.**

Fire caused by overheating due to electrical current passing through undersized cables.



**Protect all connection pipes and wires in order to prevent them from being damaged.**

Electrocution caused by contact with live wires.

Explosions, fires or asphyxiation caused by gas leaking from damaged piping.



Flooding caused by water leaking from damaged piping.



**Make sure the installation site and any systems to which the appliance must be connected comply with the applicable norms in force.**

Electrocution caused by contact with live wires which have been installed incorrectly.



Damage to the appliance caused by improper operating conditions.



**Use suitable manual tools and equipment (make sure in particular that the tool is not worn out and that its handle is fixed properly); use them correctly and make sure they do not fall from a height. Replace them once you have finished using them.**

Personal injury from the falling splinters or fragments, inhalation of dust, shocks, cuts, pricks and abrasions.



Damage to the appliance or surrounding objects caused by falling splinters, knocks and incisions.



**Use electrical equipment suitable for its intended use (in particular, make sure that the power supply cable and plug are intact and that the parts featuring rotary or reciprocating motions are fastened correctly); use this equipment correctly; do not obstruct passageways with the power supply cable, make sure no equipment could fall from a height. Disconnect it and replace it safely after use.**

Personal injury caused by falling splinters or fragments, inhalation of dust, knocks, cuts,



puncture wounds, abrasions, noise and vibration.



**Damage to the appliance or surrounding objects caused by falling splinters, knocks and incisions. Make sure any portable ladders are positioned securely, that they are suitably strong and that the steps are intact and not slippery and do not wobble when someone climbs them. Ensure someone provides supervision at all times.**

Personal injury caused by falling from a height or cuts (stepladders shutting accidentally).



**Make sure any rolling ladders are positioned securely, that they are suitably strong, that the steps are intact and not slippery and that the ladders are fitted with handrails on either side of the ladder and parapets on the landing.**

Personal injury caused by falling from a height.



**During all work carried out at a certain height (generally with a difference in height of more than two metres), make sure that parapets are used to surround the work area or that individual harnesses are used to prevent falls. The space where any accidental fall may occur should be free from dangerous obstacles, and any impact upon falling should be cushioned by semi-rigid or deformable surfaces.**

Personal injury caused by falling from a height.



**Make sure the workplace has suitable hygiene and sanitary conditions in terms of lighting, ventilation and solidity of the structures.**

Personal injury caused by knocks, stumbling etc.



**Protect the appliance and all areas in the vicinity of the work place using suitable material.**

Damage to the appliance or surrounding objects caused by falling splinters, knocks and incisions.




**Handle the appliance with suitable protection and with care.**


Damage to the appliance or surrounding objects from shocks, knocks, incisions and squashing.




**During all work procedures, wear individual protective clothing and equipment.**

Personal injury caused by electrocution, falling splinters or fragments, inhalation of dust, shocks, cuts, puncture wounds, abrasions, noise and vibration. 


**Place all debris and equipment in such a way as to make movement easy and safe, avoiding the formation of any piles which could yield or collapse.**


Damage to the appliance or surrounding objects from shocks, knocks, incisions and squashing. 

**All operations inside the appliance must be performed with the necessary caution in order to avoid abrupt contact with sharp parts.**


Personal injury caused by cuts, puncture wounds and abrasions. 

**Reset all the safety and control functions affected by any work performed on the appliance and make sure they operate correctly before restarting the appliance.**


Explosions, fires or asphyxiation caused by gas leaks or an incorrect flue gas exhaust. 


Damage or shutdown of the appliance caused by out-of-control operation. 

**Before handling, empty all components that may contain hot water, carrying out any bleeding if necessary.**


Personal injury caused by burns. 


**Descale the components, in accordance with the instructions provided on the safety data sheet of the product used, airing the room, wearing protective clothing, avoid mixing different products, and protect the appliance and surrounding objects.**

Personal injury caused by acidic substances coming into contact with skin or eyes; inhaling or swallowing harmful chemical agents. 

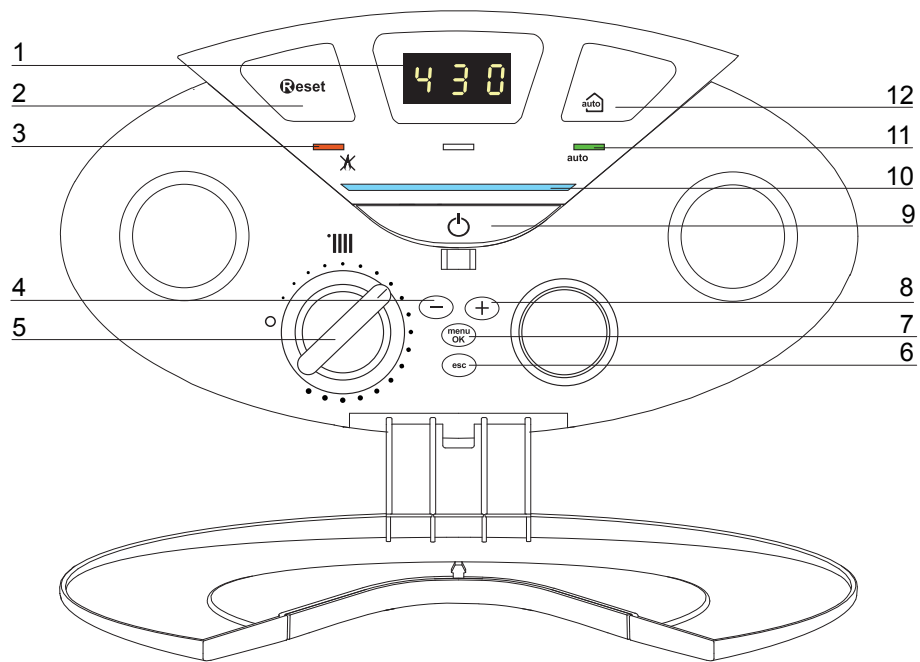
Damage to the appliance or surrounding objects due to corrosion caused by acidic substances. 

**If you detect a smell of burning or smoke, keep clear of the appliance, disconnect it from the electricity supply, open all windows and contact the technician.**

Personal injury caused by burns, smoke inhalation, asphyxiation. 

This appliance can be used by children aged from 8 years and above and person  with reduced physical, sensory or mental capabilities or lack of experience and knowledge if they have been given supervision or instruction concerning use of the appliance in a safe way and understand the hazards involved. Children shall not play with the appliance. Cleaning and user maintenance shall not be made by children without supervision.

Control panel

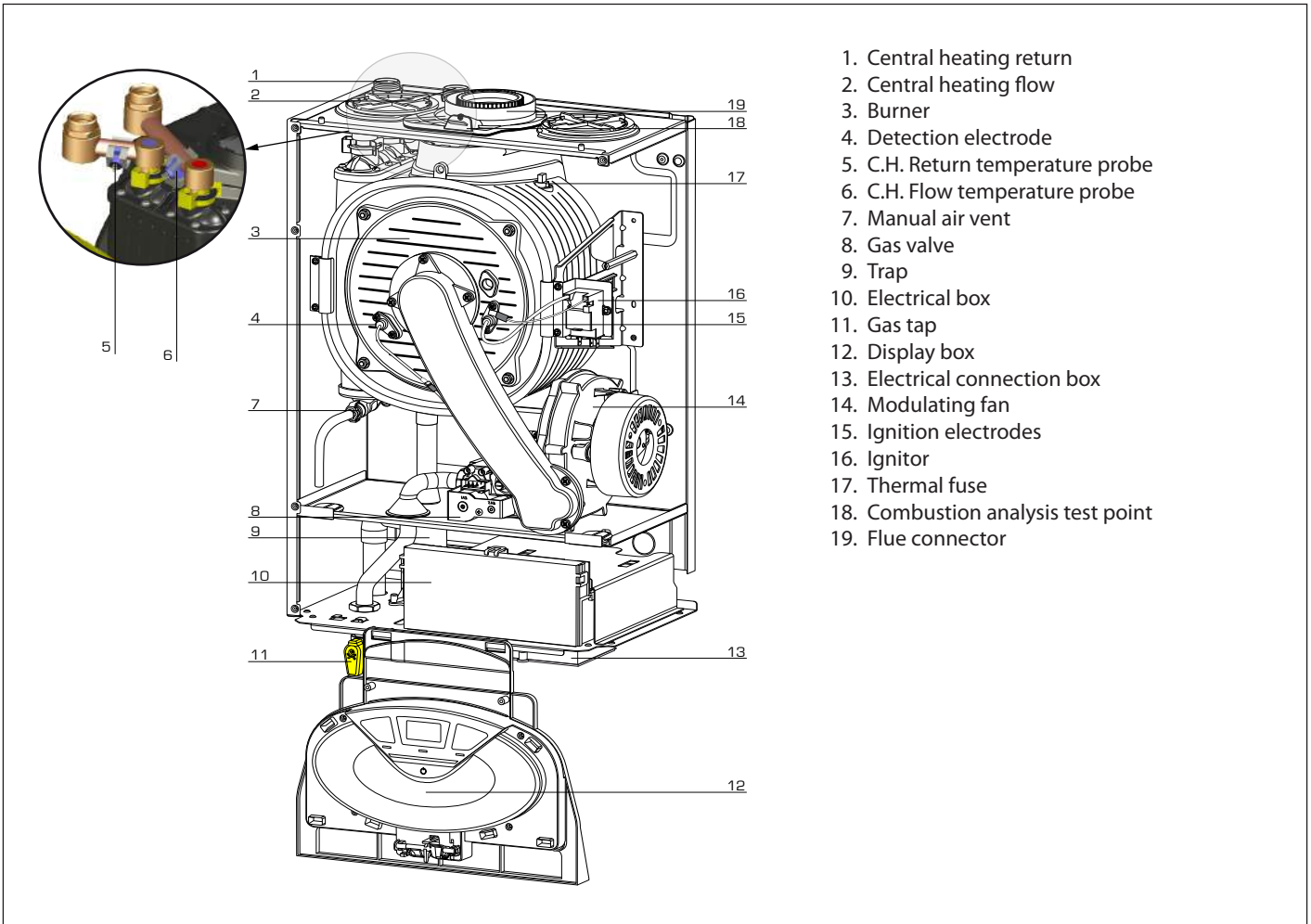


Legend :

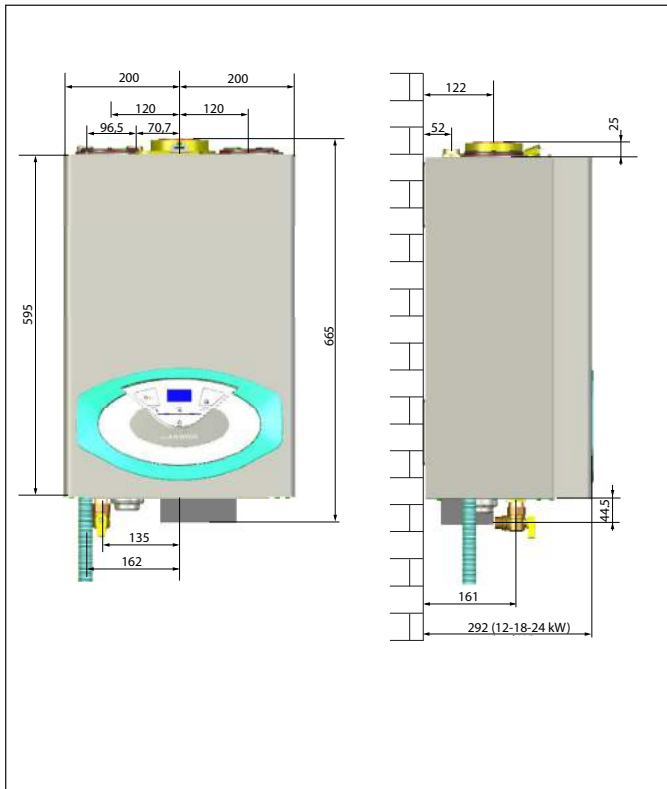
- 1. Display
- 2. RESET button
- 3. Red indicator lockout light
- 4. Button -
- 5. Temperature regulation knob
- 6. Esc button
  
- 7. Menu / OK button (Programming key)
- 8. Button +
- 9. ON/OFF button / Green indicator ON/OFF
- 10. Blue indicator burner ON
- 11. Green indicator AUTO function
- 12. AUTO button (To activate Thermoregulation)

## PRODUCT DESCRIPTION

### Overall view

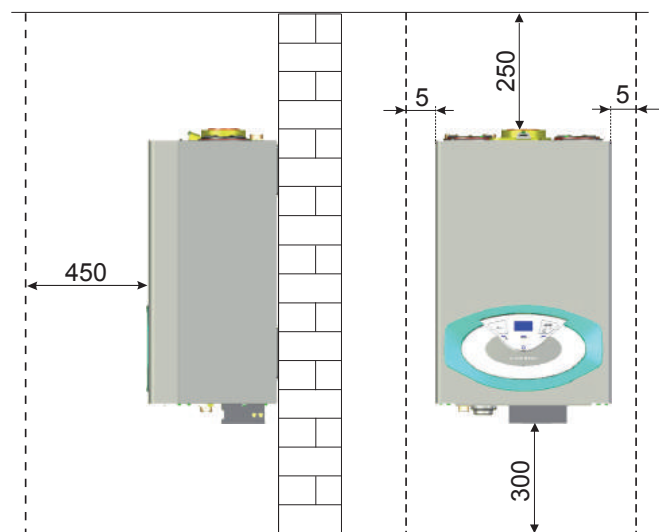


### Overall Dimensions



### Minimum clearances

In order to allow easy access to the boiler for maintenance operations, The boiler must be installed in accordance with the clearances stated below.





**Reference Standards**

In the United Kingdom, the installation and initial start-up of the boiler must be by a Gas Safe registered installer in accordance with the installation standards currently in effect, as well as with any and all local health and safety standards i.e. Gas Safe.

In the Republic of Ireland the installation and initial start-up of the appliance must be carried out by a Competent Person in accordance with the current edition of I.S.813 "Domestic Gas Installations" and the current Building Regulations, reference should also be made to the current ETCI rules for electrical installation.

The installation of this appliance must be in accordance with the relevant requirements of the Local Building Regulations, the current I.E.E. Wiring Regulations, the by-laws of the local authority, in Scotland, in accordance with the Building Standards (Scotland) Regulation and Health and Safety document No. 635, "Electricity at Work Regulations 1989" and in the Republic of Ireland with the current edition of I.S. 813 and the Local Building Regulations (IE).

**C.O.S.H.H.**

Materials used in the manufacture of this appliance are non-hazardous and no special precautions are required when servicing.

**Codes of Practice**

Installation should also comply with the following British Standards Code of Practice:

- BS 7593: Treatment of water in domestic hot water central heating systems**
- BS 5546: Installation of hot water supplies for domestic purposes**
- BS 5440-1: Flues**
- BS 5440-2: Air supply**
- BS EN 12831 - BS EN 14336: Forced circulation hot water systems**
- BS 6798: Installation of gas fired hot water boilers of rated input not exceeding 70kW**
- BS 6891: Installation of low pressure gas pipes up to 28mm**
- BS 7671: IEE Wiring Regulations**
- BS 4814: Specification for expansion vessels**
- BS 5482: Installation of L.P.G.**
- Technical Bulletin TB143 Flue Gas Analysis**

and in the Republic of Ireland in accordance with the following codes of practice:

**I.S. 813 Domestic Gas Installations**

Avoid installing the boiler where the air inlet can be polluted by chemical products such as chlorine (swimming pool area), or ammonia (hair dresser), or alkaline products (launderette).

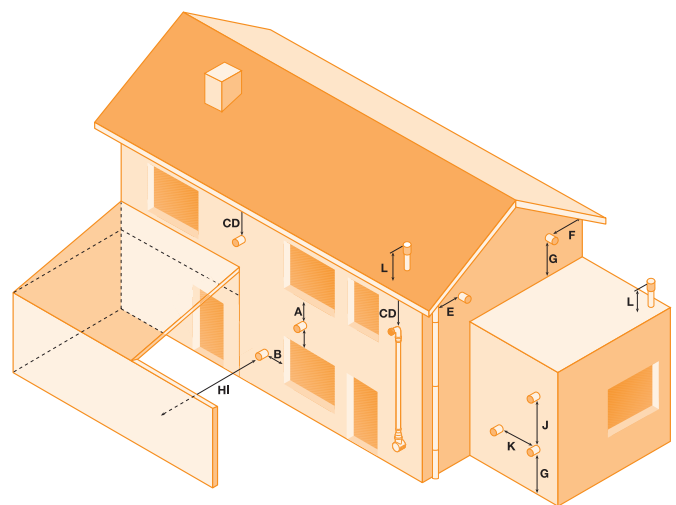
**Flue**

Detailed information on flue assembly can be found in the "Connecting the Flue" section.

The boiler must be installed so that the flue terminal is exposed to the free passage of external air at all times and must not be installed in a place likely to cause nuisance. It must not be allowed to discharge into another room or space such as an outhouse or closed lean-to.

Condensing boilers have a tendency to form a plume of water vapour from the flue terminal due to the low temperature of the flue gasses. The terminal should therefore be located with due regard for the damage or discolouration that may occur to building within the vicinity and consideration must also be given to adjacent boundaries, openable windows should also be taken into consideration when siting the flue.

The minimum acceptable clearances are shown below:



- A Directly below an opening, window, etc 300 mm
- B Horizontally to an opening, window, etc 300 mm
- C Below gutters, soils pipes or drain pipes 75 mm
- D Below eaves 200 mm
- E From vertical drain pipe or soil pipe 75 mm
- F From internal or external corner 300 mm
- G Above ground, roof or balcony level 300 mm
- H From a surface facing the terminal 600 mm
- I From a terminal facing a terminal 1200 mm
- J Vertically from a terminal on the same wall 1500 mm
- K Horizontally from an terminal on the same wall 300 mm
- L Fixed by vertical flue terminal

**NOTE: THE FLUE MUST NOT BE INSTALLED IN A PLACE LIKELY TO CAUSE A NUISANCE AND POSITIONED TO ENSURE THAT PRODUCTS OF COMBUSTION DO NOT DISCHARGE ACROSS A BOUNDARY**

It may be necessary to protect the terminal with a guard, if this is the case it will be necessary to purchase a stainless steel terminal guard. Reference should be made to the Building Regulations for guidance.

**Ventilation**

The room in which the boiler is installed does not require specific ventilation. If the boiler is installed in a cupboard or compartment ventilation is not required for cooling purposes.

## Gas Supply

The gas installation and tightness testing must be in accordance with the requirements of BS6891. Ensure that the pipe size is adequate for demand including other gas appliances on the same supply.

## Electrical Supply

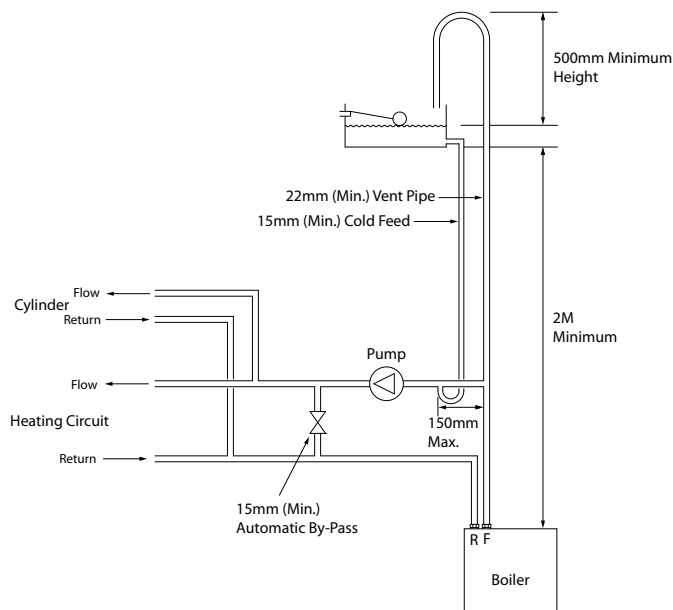
The appliance requires an earthed 230V - 50 Hz supply and must be in accordance with current I.E.E. regulations. It must also be possible to be able to completely isolate the appliance electrically. Connection should be via a 3 amp double pole fused isolating switch with contact separation of at least 3mm on both poles. Alternatively, a fused 3 amp, 3 pin plug and unswitched socket may be used, provided it is not used in a room containing a bath or shower, it. It should only supply the appliance.

## Automatic by pass

Ariston recommend that an automatic by pass is installed a minimum of 1.5 metres away from the boiler to ensure the minimum required flow rate is achieved at all times. Additionally the design of the system and its controls must ensure that an adequate temperature differential is met, and should be such to prevent boiler cycling.

## Feed and vent pipework

The feed and vent pipework from the boiler to the F & E (Feed & Expansion) tank should be configured as shown in the fig. below.



## Note:

- The distance between the cold feed and the open vent pipe shall be no more than 150mm.
- The cold feed must be inverted as shown.
- The open vent pipe must be a minimum of 22mm diameter.
- The cold feed pipe must be a minimum of 15mm diameter.
- The cold feed and open vent pipes must rise continuously and be unrestricted.
- The minimum distance from the top of the boiler to the bottom of the F & E tank shall be no less than 2m. Whilst the maximum distance shall be not more than 27m.
- The distance between the bottom of the F & E tank and the highest point of the open vent must be no less than 500mm.
- The flow and return pipes from the boiler must rise continuously and be unrestricted.
- The supply of water to the F & E tank should be taken from the mains water supply via a suitable float operated valve. While the supply from the F & E tank to the boiler/heating circuit (via the cold feed) shall be unrestricted.
- The F & E tank must be adequately supported and installed in accordance with relevant Building Regulations.

## Pump specification

The pump should be fitted on the flow pipe from the boiler and have isolating valves each side. A variable duty pump should be set to give a temperature differential of no greater than 20°C.

## Draining tap

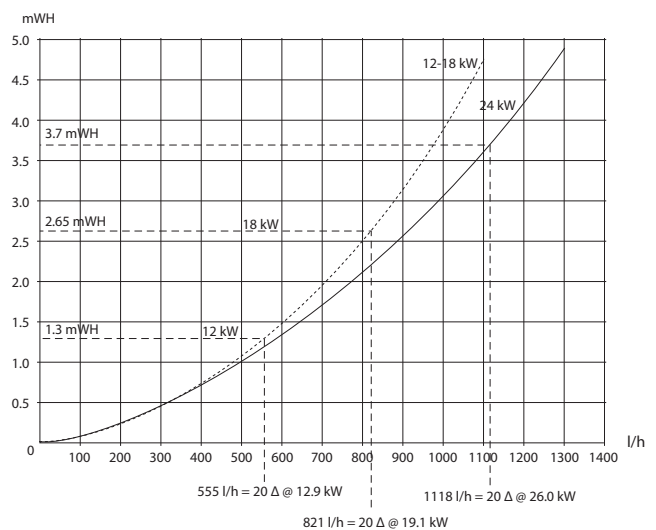
A draining tap must be provided at all the lowest points of the system which will allow the entire system to be drained. A drain tap must also be installed on the flow and return pipes immediately above the boiler to ensure complete draining of the primary flow and return is possible.

Drain taps shall be to the current standard of BS 2879.

## Sealed water systems

A sealed system kit is available from Ariston. Installation instructions are supplied with the kit.

## Pressure Loss Graphs through the boilers



### Flushing and Water Treatment

The boiler is equipped with a stainless steel heat exchanger.

The detailed recommendations for water treatment are given in BS 7593:2006 (Treatment of water in domestic hot water central heating systems); the following notes are given for general guidance.

If the boiler is installed on an existing system, any unsuitable additives must be removed.

Under no circumstances should the boiler be fired before the system has been thoroughly flushed; the flushing procedure must be in line with BS 7593:2006.

We highly recommend the use of a flushing detergent appropriate for the metals used in the circuit. These include cleansers produced by Fernox BetzDearbon, whose function is to dissolve any foreign matter that may be in the system.

In hard water areas or where large quantities of water are in the system the treatment of water to prevent premature scaling of the main exchanger is necessary.

The formation of scale heat compromises the efficiency of the thermic exchanger because small areas of scale cause a high increase of the temperature of the metallic walls and therefore add to the thermal stress of the heat exchanger.

Demineralised water is more aggressive so in this situation it is necessary to treat the water with an appropriate corrosion inhibitor.

Any treatment of water by additives in the system for frost protection or for corrosion inhibition has to be absolutely suitable for all metals used in the circuit.

The use of a corrosion inhibitor in the system such as Fernox MB-1, BetzDearborn Sentinel X100 or Fernox System Inhibitor is recommended to prevent corrosion (sludge) damaging the boiler and system;

If anti-freeze substances are to be used in the system, check carefully that they are compatible with the metals used in the circuit.

ARISTON suggests the use of suitable anti-freeze products such as Fernox ALPHI 11, which will prevent rust and incrustation taking place.

Periodically check the pH balance of the water/anti-freeze mixture of the boiler circuit and replace it when the amount measured is out of the range stipulated by the manufacturer ( $7 < \text{pH} < 8$ ).

**DO NOT MIX DIFFERENT TYPES OF ANTI-FREEZE**

In under-floor systems, the use of plastic pipes without protection against penetration of oxygen through the walls can cause corrosion of the systems metal parts (metal piping, boiler etc), through the formation of oxides and bacterial agents.

To prevent this problem it is necessary to use pipes with an "oxygen proof barrier", in accordance with standards DIN 4726/4729. **If pipes of this kind are not used, keep the system separate by installing heat exchangers of those with a specific system water treatment.**

### IMPORTANT

**Failure to carry out the water treatment procedure will invalidate the appliance guarantee.**

### System Controls

The boiler is electrically controlled and is suitable for most modern electronic time and temperature controls. The addition of such external controls can be beneficial to the efficient operation of the system.

The boiler connections for external controls are 240V. ARISTON supply a range of wired and wireless system controls. Contact your supplier for more details.

### Location

The boiler can be installed on any suitable internal wall (suitable sound proofing may be required when installing onto a stud partition wall). Provision must be made to allow for the correct routing of the flue and siting of the terminal to allow the safe and efficient removal of the flue products. A compartment or cupboard may be used provided that it has been built or modified for this purpose. It is not necessary to provide permanent ventilation for cooling purposes. Detailed recommendations are given in BS 5440 Part 2. If it is proposed that it is to be installed in a timber framed building then reference should be made to IGE/UP/7 or advice sought from Gas Safe.

**Where a room sealed appliance is installed in a room containing a bath or shower, the appliance and any electrical switch or appliance control, utilising mains electricity should be situated specifically in accordance with current IEE Wiring Regulations.**

For unusual locations, special procedures may be necessary. **BS 6798** gives detailed guidance on this aspect.

Tundish

Ø22mm

## INSTALLATION

### Codensate Discharge

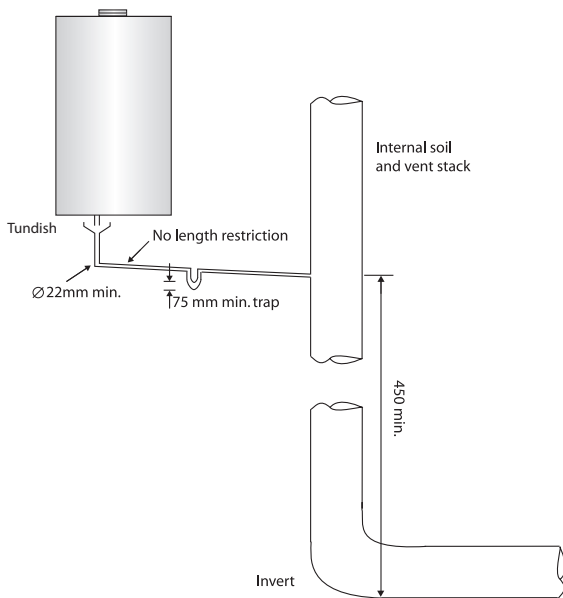
The condensate discharge hose from the boiler must have a continuous fall of 2.5° and must be inserted by at least 50mm into a suitable acid resistant pipe - e.g. plastic waste or overflow pipe. The condensate discharge pipe must have a minimum diameter of 22mm, must have a continuous fall and preferably be installed and terminated to prevent freezing. The discharge pipe must be terminated in a suitable position:

- Connecting into an internal soil stack (at least 450mm above the invert of the stack). A trap giving a water seal of at least 75mm must be incorporated into the pipe run, there also must be an air break upstream of the trap.
- Connecting into the waste system of the building such as a washing machine or sink trap. The connection must be upstream of the washing machine/sink. If the connection is downstream of the waste trap then an additional trap giving a minimum water seal of 75mm and an air break must be incorporated in the pipe run, as above.
- Terminating into a gully, below the grid level but above the water level
- Into a soakaway

Note: If any condensate pipework is to be installed externally then it should be kept to a minimum and be insulated with a waterproof insulation and have a continuous fall. The total length of external pipe used should not exceed 3 metres.

Some examples of the type of condensate terminations can be found below.

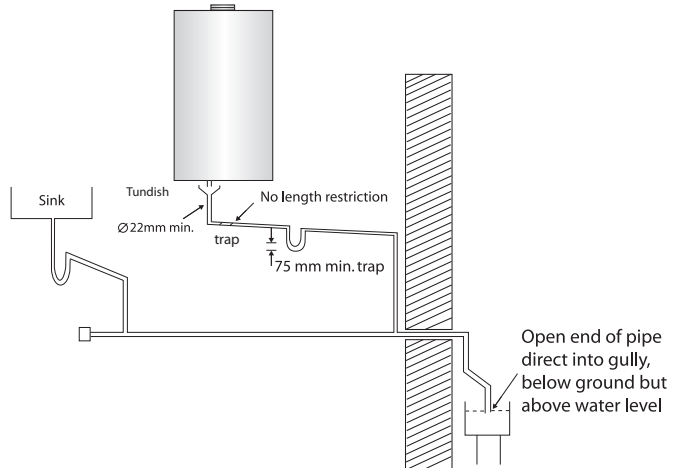
#### 1. Internal termination of condensate drainage pipe to internal stack.



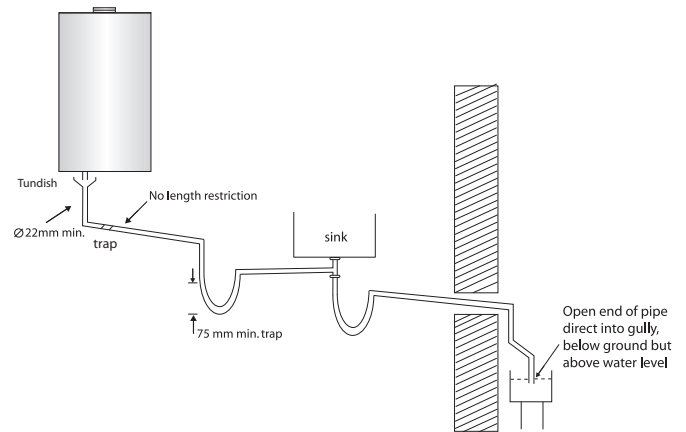
### Codensate Discharge

Push fit the flexible condensate pipe into the outlet spigot on the appliance. Cut to length and locate outlet into a tundish

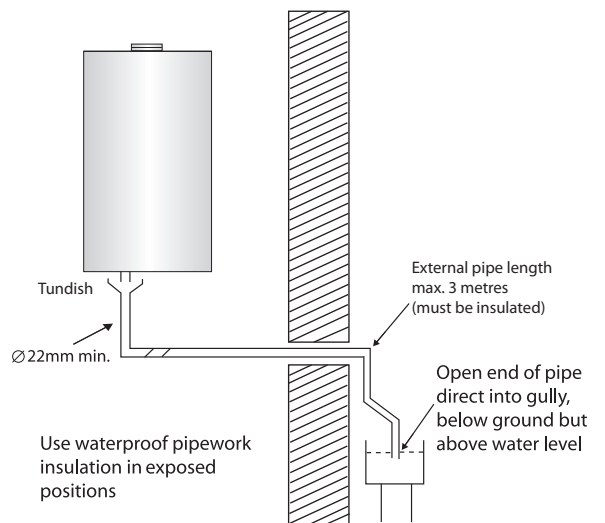
#### 2. External termination of condensate drainage pipe via internal discharge branch (e.g. sink waste) and condensate siphon.



#### 3. External termination of condensate drainage pipe via internal discharge branch (e.g. sink waste - proprietary fitting).



#### 4. External termination of condensate drainage pipe via condensate siphon

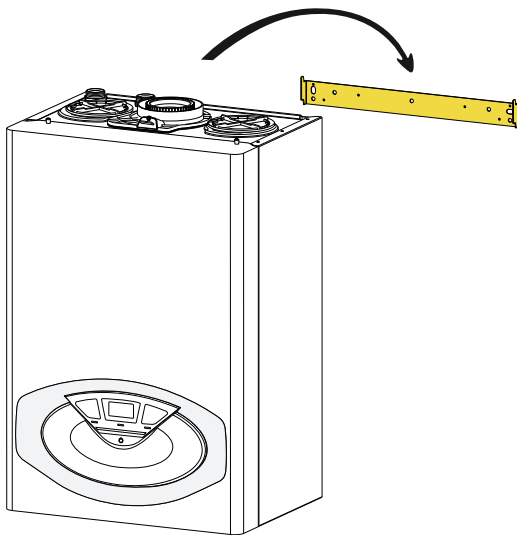


**Installing the Boiler**

Please check that you are familiar with the installation requirement before commencing work.

The installation accessories described in the following list are included in the boiler packaging:

- Hanging bracket
- A paper template (showing the dimensions of the boiler with 5 mm side clearances)
- Gas isolation valve (compression)
- Washers
- Installation, Servicing and User manual
- Flue gasket
- Fixing screws



**Method of positioning the boiler on the wall**

The paper template can be used to ensure the correct positioning of kitchen cabinets etc.

The paper template has to be fixed to the wall and used to locate the position of the hanging bracket and the centre for the flue hole. Drill and plug the wall and secure the hanging bracket using the screws provided, ensure the hanging bracket is fixed square on the wall. Remove the boiler from its packaging.

Place the boiler on the hanging bracket.

**NOTE: THE APPLIANCE MUST NOT BE FITTED ON A COMBUSTIBLE WALL SURFACE.**

**Connecting the boiler to the system**

- Remove the boiler casing as described on page 14
- Remove the cap and connect the gas isolation valve to the boiler using the washer provided (C) page 13;

**Filling the system/condensate discharge**

Fill the central heating and bleed air from the system as described in the Commissioning Instructions.

The system should be carefully checked for leaks, as frequent refilling could cause premature system corrosion or unnecessary scaling of the heat exchanger.

Pay special attention not to bend the condensate silicone drain pipe in such a way as to interrupt the flow. Please only use drain pipe material compatible with condensate products (refer to BS 6798:2000).

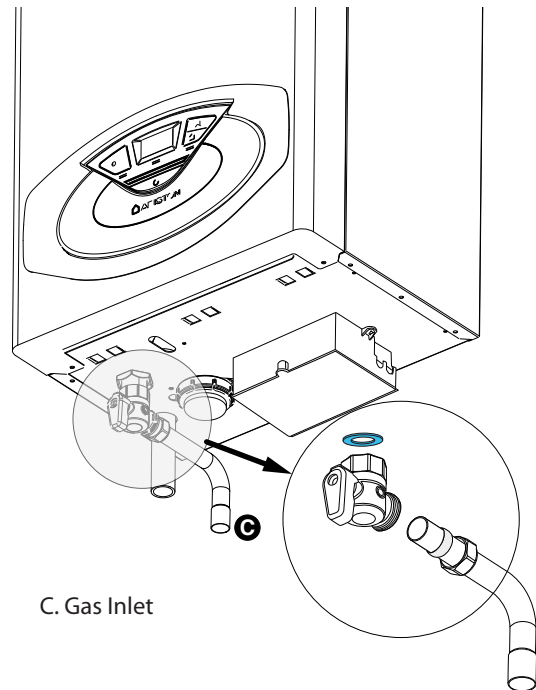
The condensate flow can reach 2 litres/hour because of the acidity of the condensate products (Ph close to 2), take care before operation. See page 12 for condensate discharge options.

**Gas connection**

Make sure, using the labels on the packaging and the data plate on the appliance itself, that the boiler is in the correct country and that the gas category for which the boiler was designed corresponds to one of the categories available in the country where it will be used. The gas supply piping must be created and measured out in compliance with specific legal requirements and in accordance with the maximum power of the boiler; ensure the gas isolation valve is connected correctly, see drawing opposite.

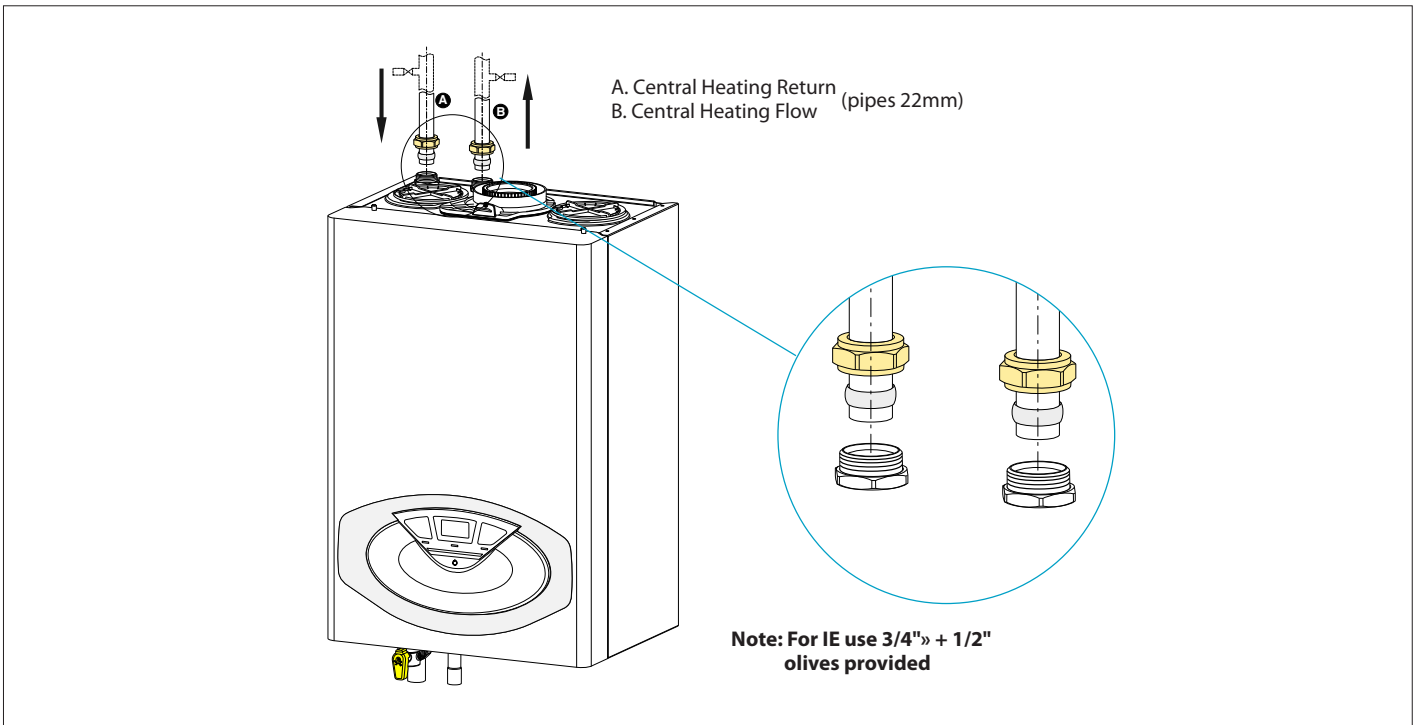
Check that the supplied gas corresponds to the type of gas for which the boiler was designed (see the data plate located on the appliance itself).

It is also important to check that the pressure of the gas (methane or LPG) you will be using to feed the boiler is suitable, because if it is insufficient the power may be reduced, causing inconvenience for the user.



## INSTALLATION

### Central Heating connection

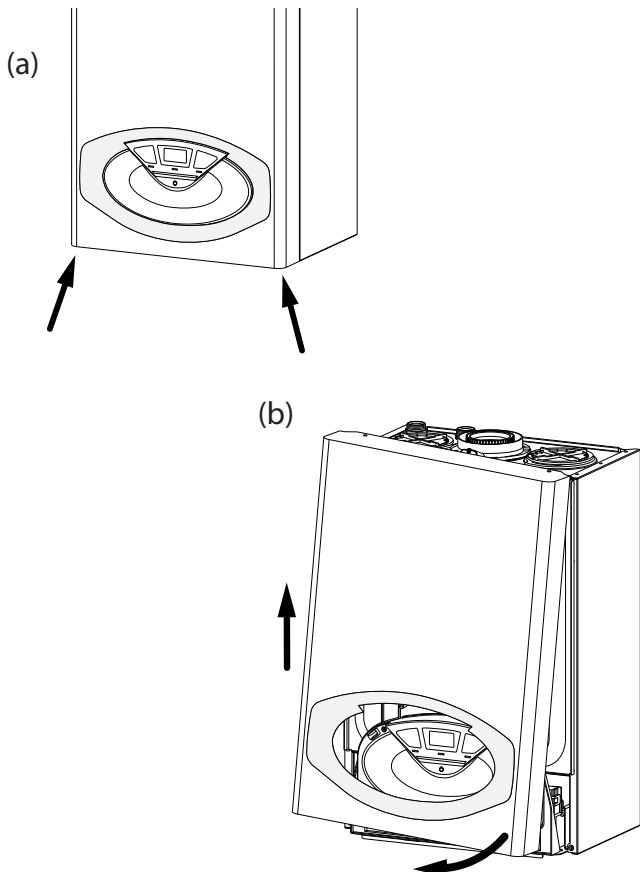


### Instructions for opening the casing and performing an internal inspection

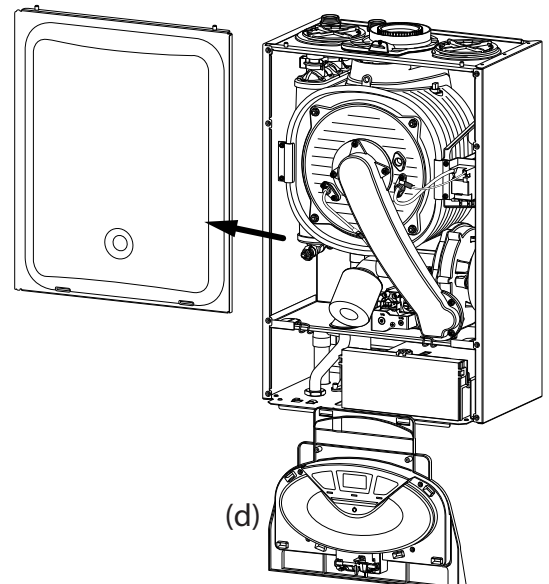
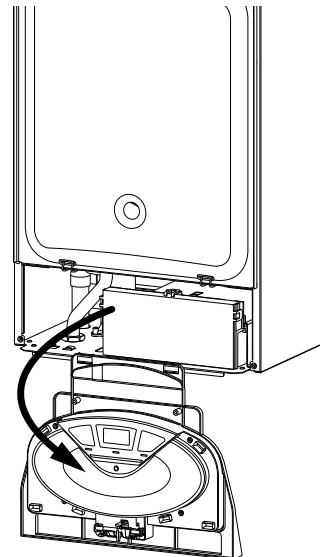
Before performing any work on the boiler, first disconnect it from the electrical power supply using the external bipolar switch, removing the fuse and shutting off the gas valve.

To access the inside of the boiler, the following is necessary:

1. Loosen the two screws on the front casing (a), pull it forwards and unhook it from the upper pins (b)
3. Remove the control panel (c)
4. Unhook the two clips on the combustion chamber panel and lift off (d).

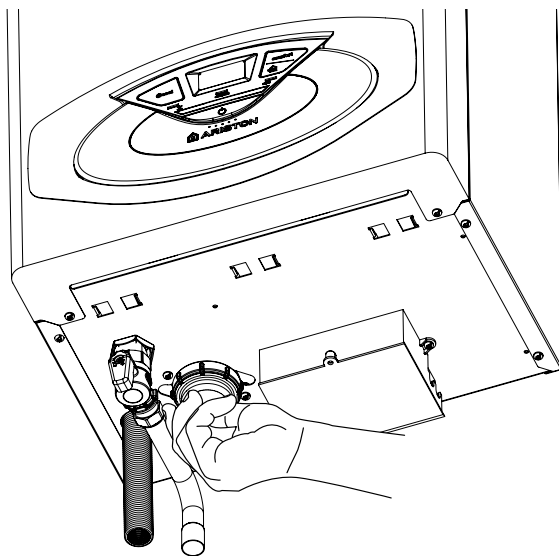
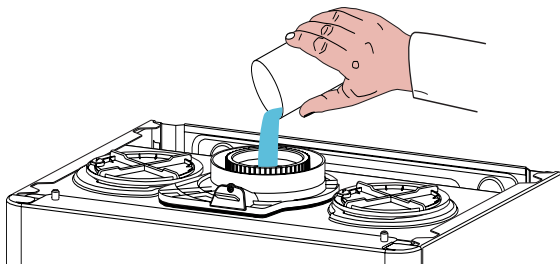


(c)

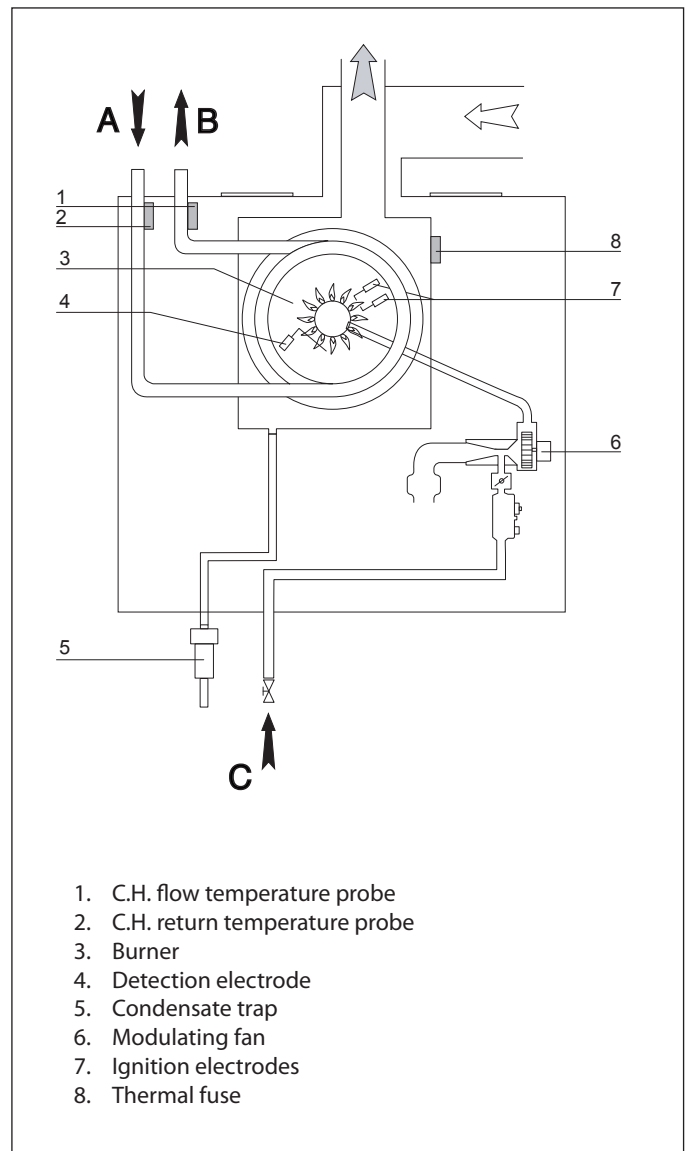


BEFORE THE EQUIPMENT IS USED, FOR THE FIRST TIME THE TRAP MUST BE FILLED WITH WATER. TO DO THIS, ADD APPROXIMATELY 1/4 LITRE OF WATER VIA THE FLUE OUTLET BEFORE FITTING THE FLUE SYSTEM, OR UNSCREW THE CAP ON THE TRAP POSITIONED UNDERNEATH THE BOILER, FILL IT WITH WATER AND REFIT IT

**WARNING!**  
**INSUFFICIENT WATER IN THE TRAP CAN TEMPORARILY CAUSE THE FLUE GAS TO BE EXPELLED INTO THE SURROUNDING AMBIENT AIR**



Water circuit diagram



## INSTALLATION

### Connecting the Flue

#### Flue System

The provision for satisfactory flue termination must be made as described in BS 5440-1.

The appliance must be installed so that the flue terminal is exposed to outdoor air.

The terminal must not discharge into another room or space such as an outhouse or lean-to.

It is important that the position of the terminal allows a free passage of air across it at all times.

The terminal should be located with due regard for the damage or discolouration that might occur on buildings in the vicinity, it must also be located in a place not likely to cause nuisance.

In cold or humid weather water vapour may condense on leaving the flue terminal.

The effect of such "steaming" must be considered.

If the terminal is less than 2 metres above a balcony, above ground or above a flat roof to which people have access, then a suitable stainless steel terminal guard must be fitted.

The minimum acceptable spacing from the terminal to obstructions and ventilation openings are specified in Fig. 1.

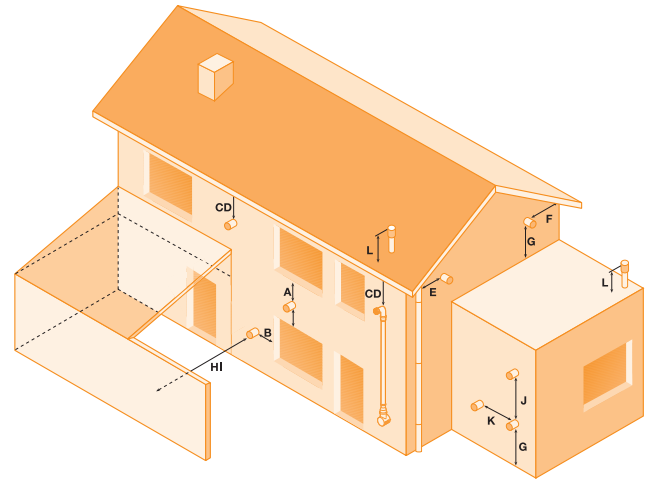


Fig. 1

- A Directly below an opening, window, etc	300 mm
- B Horizontally to an opening, window, etc	300 mm
- C Below gutters, soils pipes or drain pipes	75 mm
- D Below eaves	200 mm
- E From vertical drain pipe or soil pipe	75 mm
- F From internal or external corner	300 mm
- G Above ground, roof or balcony level	300 mm
- H From a surface facing the terminal	600 mm
- I From a terminal facing a terminal	1200 mm
- J Vertically from a terminal on the same wall	1500 mm
- K Horizontally from an terminal on the same wall	300 mm
- L Fixed by vertical flue terminal	

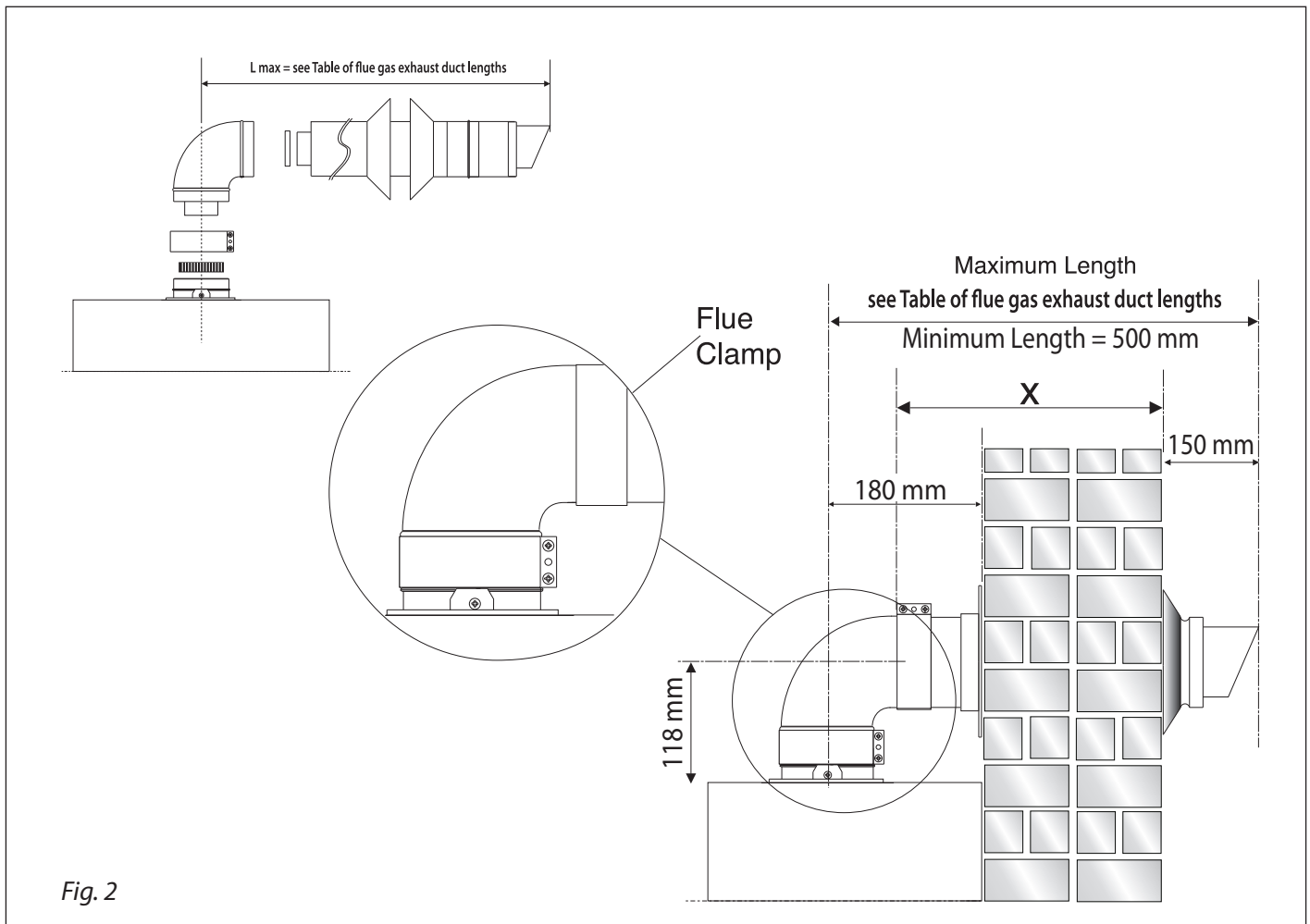


Fig. 2

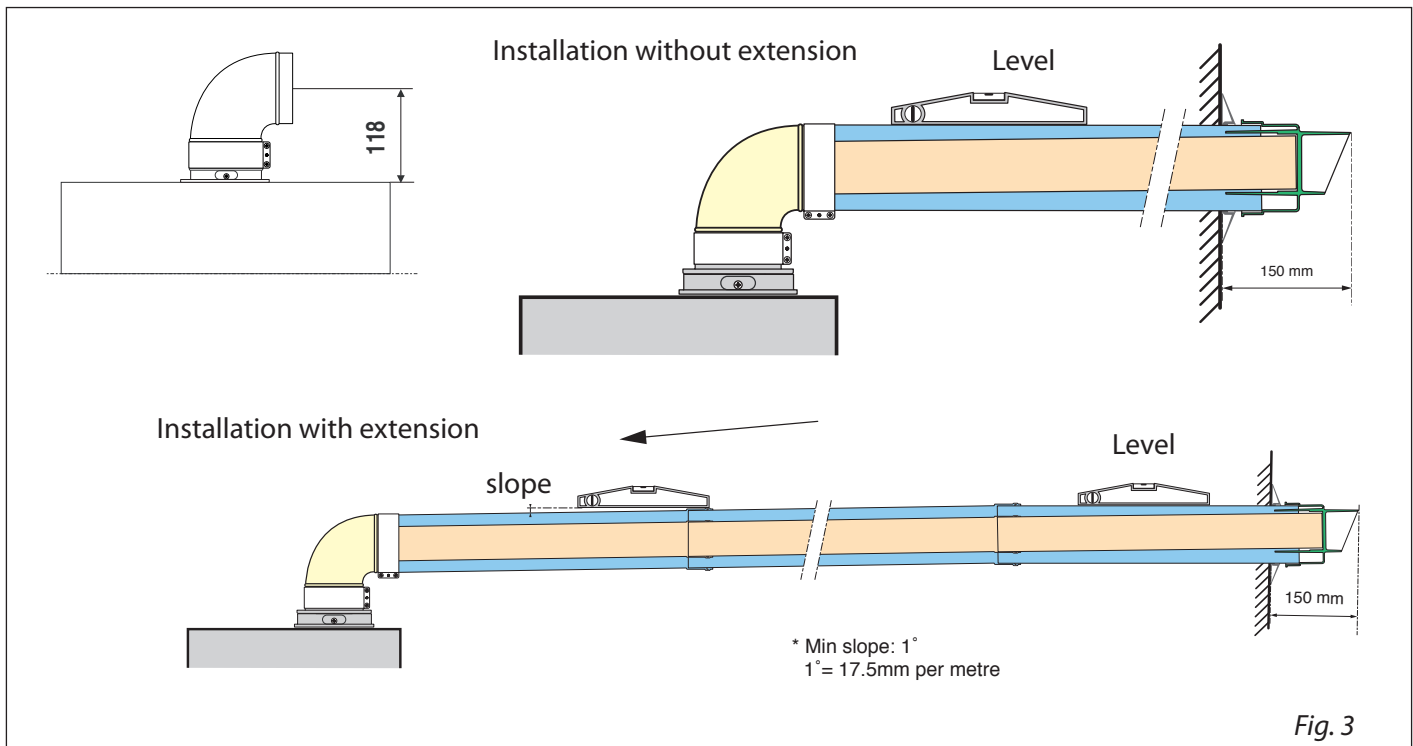


**Warning**

The exhaust gas ducts must not be in contact with or close to inflammable material and must not pass through building structures or walls made of inflammable material.  
When replacing an old appliance, the flue system must be changed.

**Important**

Ensure that the flue is not blocked.  
Ensure that the flue is supported and assembled in accordance with these instructions.



**Fitting the Coaxial Flue** (Ø 60 / 100 Horizontal)

Contents:

- 1x Silicone O-Ring (60mm)
- 1x Elbow (90°)
- 2x Wall Seals (Internal & External)
- 1x Flue Pipe including Terminal (1 metre - 60/100)
- 2x Flue Clamps
- 4x Screws
- 2x Seals

Once the boiler has been positioned on the wall, fit the rubber flue seal into the internal flue turret (see diagram opposite),

Insert the elbow into the socket and rotate to the required position.  
note: It is possible to rotate the elbow 360° on its vertical axis.

Using the flue clamp, seals and screws supplied (Fig 4) secure the elbow to the boiler.

The 1 metre horizontal flue kit (3318073) supplied is suitable for an exact X dimension of 753mm.

Measure the distance from the face of the external wall to the face of the flue elbow (X - Fig 2), this figure must now be subtracted from 753mm, you now have the total amount to be cut from the plain end of the flue.

**Note:** A Plume management kit is available for 60/100 horizontal termination. Instructions for installation are supplied with the Plume management kit.

Draw a circle around the outer flue and cut the flue to the required length taking care not to cut the inner flue, next cut the inner flue ensuring that the length between the inner and outer flue is maintained. (Fig 4).

e.g.

$$X = 555\text{mm}$$

$$753 - 555 = 198\text{mm (Length to be cut from the plain end of the flue).}$$

Once cut to the required length, ensure that the flue is free from burrs and reassemble the flue. If fitting the flue from inside of the building attach the outer wall seal to the flue terminal and push the flue through the hole, once the wall seal has passed through the hole, pull the flue back until the seal is flush with the wall. Alternatively, the flue can be installed from outside of the building, the outer seal being fitted last.

Should the flue require extending, the flue connections are push fit, however, one flue bracket should be used to secure each metre of flue.

Note: See table for maximum and minimum flue runs.

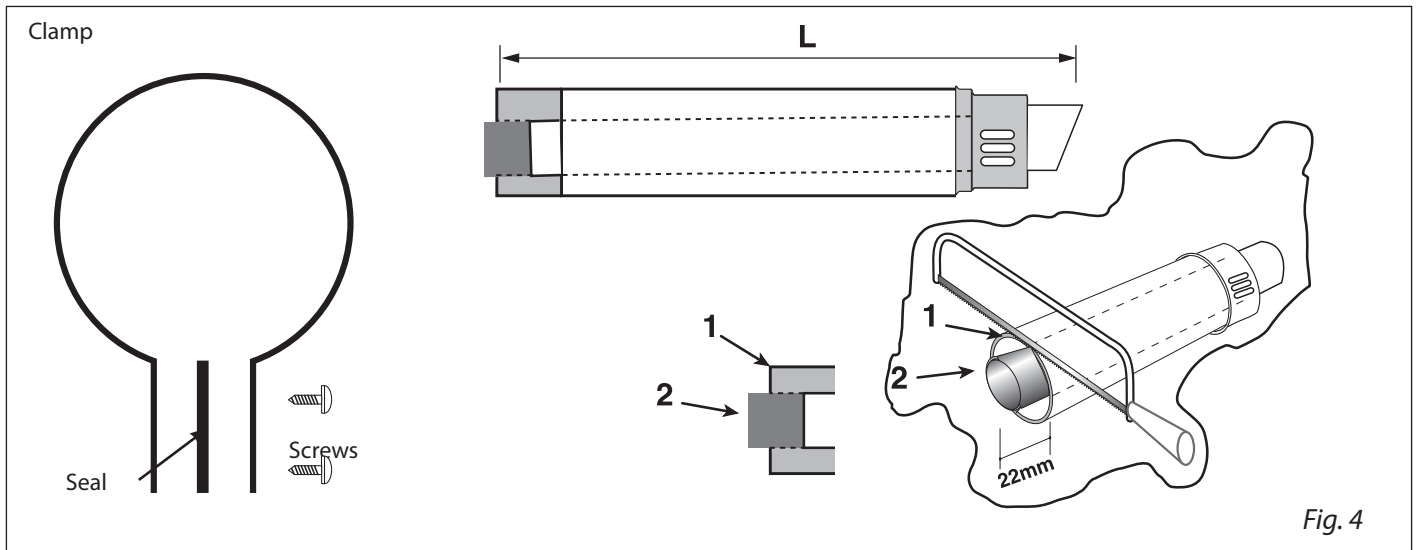
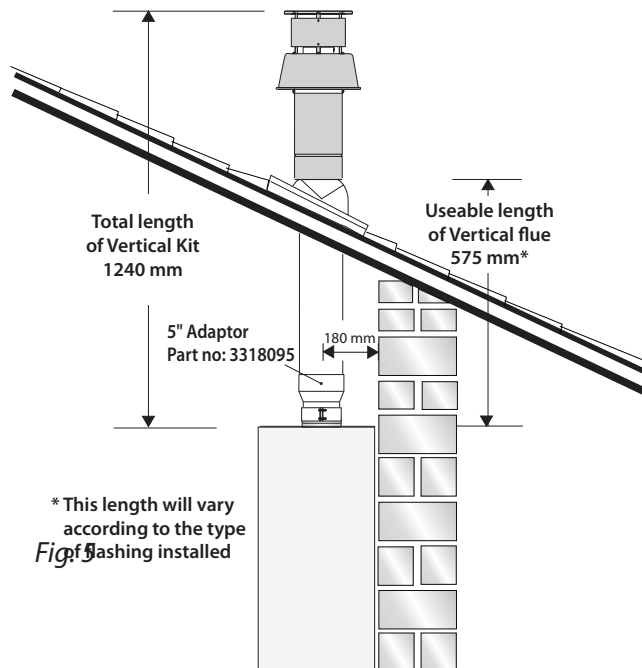


Fig. 4

**Fitting the 5" Flue**

(Ø 80 / 125 Horizontal/vertical)



Once the boiler has been positioned on the wall, it is necessary to insert the Ø80/125 adaptor (Fig. 5) for both horizontal and vertical flue runs into the boiler flue socket (not supplied with flue kit - Part No 3318095).

Push the adaptor onto the boilers flue connection, grease the seals then add extensions or elbows as required, secure the adaptor, using the clamp and screws provided.

To fit extensions or elbows it is first necessary to ensure that the lip seal is fitted correctly into the inner flue, once verified, it is simply necessary to push them together, no clamps are necessary to secure the flue components.

Before proceeding to fit the flue, ensure that the maximum flue length has not been exceeded (See the tables) and that all elbows and bends have been taken into consideration, for each additional 90° elbow 1 metre must be subtracted from the total flue length, and for each 45° 0.5 metres must be subtracted from the total flue length (the height of the vertical adaptor and a 45° bend can be seen in Fig.6 and a 90° bend in Fig. 7).

Note: DO NOT cut the vertical flue kit.

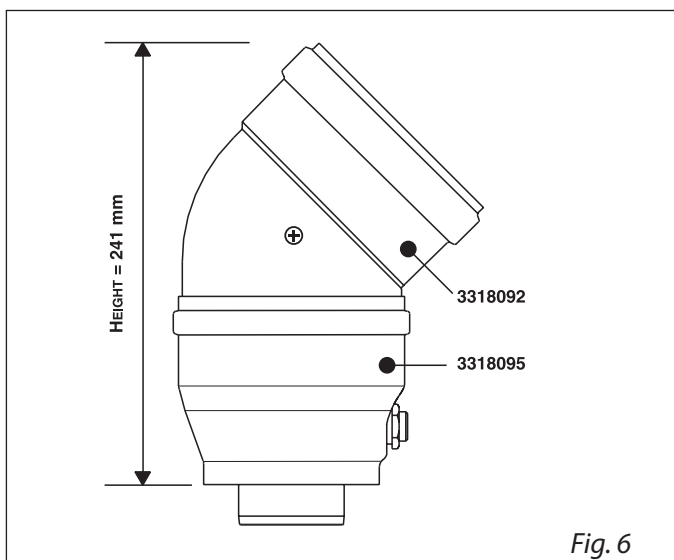


Fig. 6

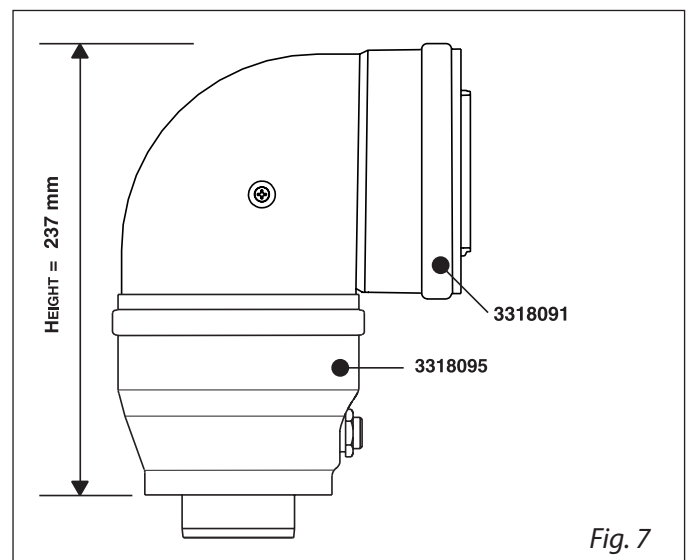


Fig. 7

**Fitting the Coaxial Flue**  
(Ø 60 / 100 Vertical)

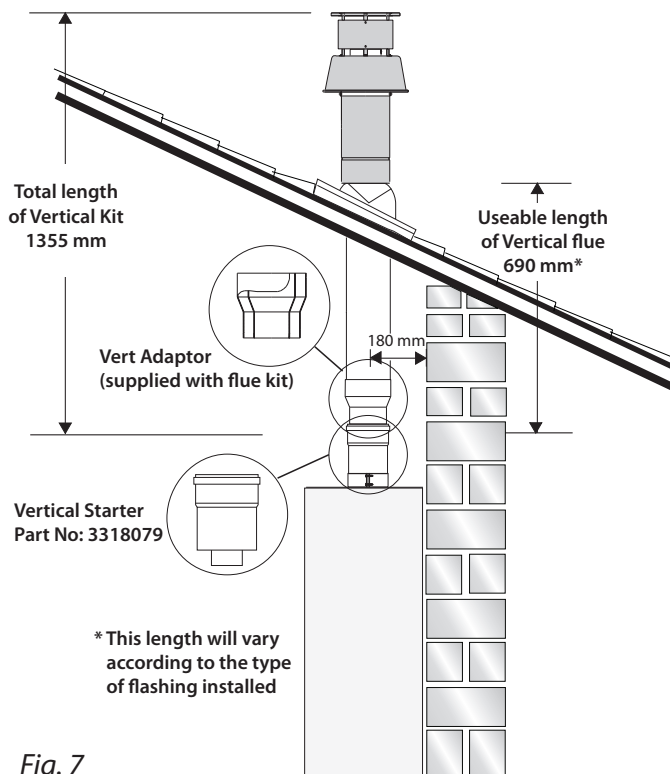


Fig. 7

Note: See table for maximum and minimum flue runs.

Contents:

- 1x Conical Adaptor (60/100mm)
- 1x Vertical Flue Kit (80/125mm)

The vertical flue kit is supplied with a specially designed weather proof terminal fitted, it can be used either with a flat roof or a pitched roof.

The Vertical flue kits useable lengths with the pitched roof flashings are indicated in Fig. 7.

Before proceeding to fit the flue, ensure that the maximum flue length has not been exceeded (See the tables) and that all elbows and bends have been taken into consideration, for each additional 90° elbow 1 metre must be subtracted from the total flue length, and for each 45° 0.5 metres must be subtracted from the total flue length (the height of the vertical adaptor and a 45° bend can be seen in Fig. 8).

Mark the position of the flue hole in the ceiling and/or roof (see Fig. 7 for distance from wall to the centre of the flue).

Cut a 130mm diameter hole through the ceiling and/or roof and fit the flashing plate to the roof.

DO NOT cut the vertical flue kit.

To connect the vertical flue kit directly to the boiler, place the vertical starter kit (Part No. 3318079) (see Fig. 7) onto the exhaust manifold and secure with the clamp, fit the vertical adaptor onto the vertical starter kit (note: there is no need to use a clamp to secure this as it is a push fit connection), the vertical flue kit must then be inserted through the roof flashing, this will ensure that the correct clearance above the roof is provided as the terminal is a fixed height.

Should extensions be required, they are available in 1 metre (Part No. 3318077), 500mm (Part No. 3318078) and they must be connected directly to the vertical starter kit before connecting the adaptor to allow the vertical flue kit to be fitted. In the event that extension pieces need to be shortened, they must only be cut at the male end and it must be ensured that the inner and outer flue remain flush.

When utilising the vertical flue system, action must be taken to ensure that the flue is supported adequately to prevent the weight being transferred to the appliance flue connection by using 1 flue bracket per extension.

When the flue passes through a ceiling or wooden floor, there must be an air gap of 25mm between any part of the flue system and any combustible material. The use of a ceiling plate will facilitate this. Also when the flue passes from one room to another a fire stop must be fitted to prevent the passage of smoke or fire, irrespective of the structural material through which the flue passes.

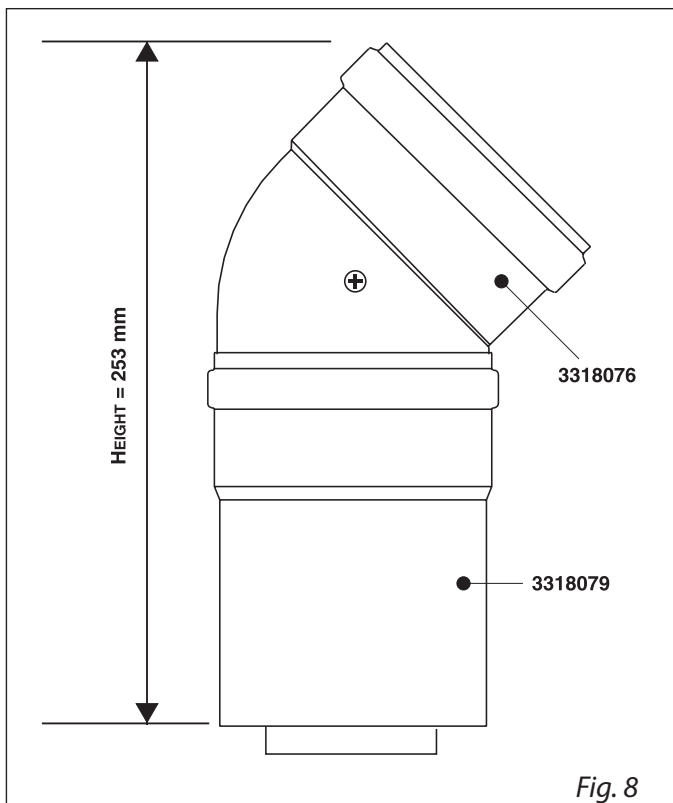
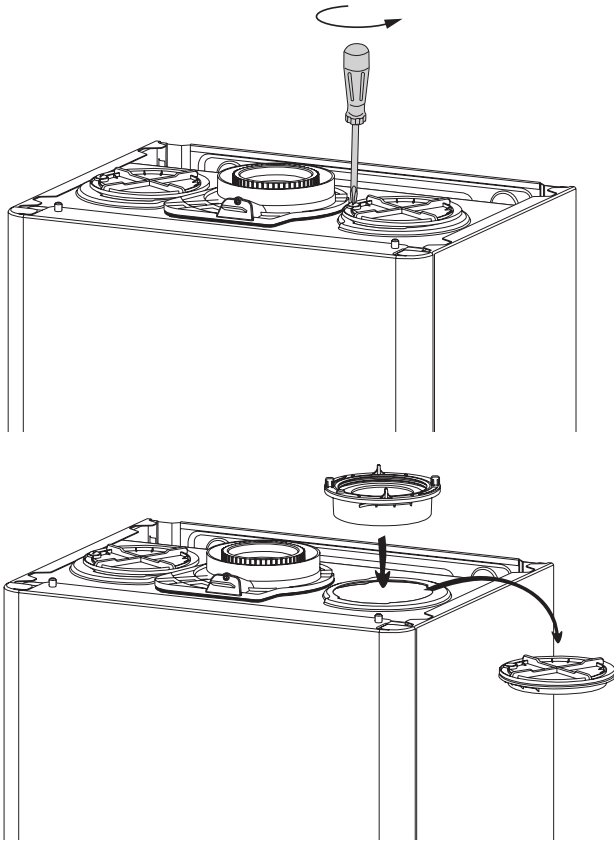


Fig. 8

### Fitting the Twin Pipe (Ø80 / 80)



Note: See table for maximum and minimum flue runs.

Where it is not possible to terminate the flue within the distance permitted for coaxial flues, the twin flue pipe can be used by fitting a special adaptor to the flue connector and using the aperture for the air intake located on top of the combustion chamber.

Always ensure that the flue is adequately supported, using one flue bracket per extension and avoiding low points. (ARISTON supply suitable clamps as Part No. 705778).

To utilise the air intake it is necessary to:

- 1) Take the air intake cover off the top of the appliance
- 2) Assemble the flange on the header supplied with the boiler
- 3) Insert the header on the tube or the elbow up until the lower stop (you do not have to use the washer).
- 4) Insert the elbow/header in the boiler air intake hole and fasten it with screws.

The twin flue pipes can be fitted with or without additional elbows and need no clamps, simply ensure that the lip seal is inserted in the female end of the flue pipe and push the extension piece fully into the previous section of flue pipe or elbow, check that the lip seal is not dislodged when assembling the flue (greasing the seal will aid assembly).

Twin pipe can also be converted back to Coaxial flue to enable vertical termination with a coaxial kit by using the pipe bridge (Twin - Coaxial Adaptor - Part No. 3318089). When running the twin flue pipe vertically.

It is not possible to terminate concentrically horizontally. Termination is only possible with separate air and exhaust terminals.

When siting the twin flue pipe, the air intake and exhaust terminals must terminate on the same wall, the centres of the terminals must be a minimum of 280 mm apart and the air intake must not be sited above the exhaust terminal (refer to Fig. 10). The air intake pipe can be run horizontally, however, the terminal and the final 1 metre of flue must be installed either horizontally or with a slight fall away from the boiler to avoid rain ingress.

It is also strongly recommended that the air intake pipe run be constructed of insulated pipe to prevent condense forming on the outside of the tube.

Ensure the exhaust tube has a minimum fall back to the boiler of 1° / metre (1° = 17.5mm/metre)

The maximum permissible flue length for twin flue is dependent on the type of run used (see table on page 22).

For further information relating to flue runs not illustrated, please contact the Technical Department on 0870 241 8180.

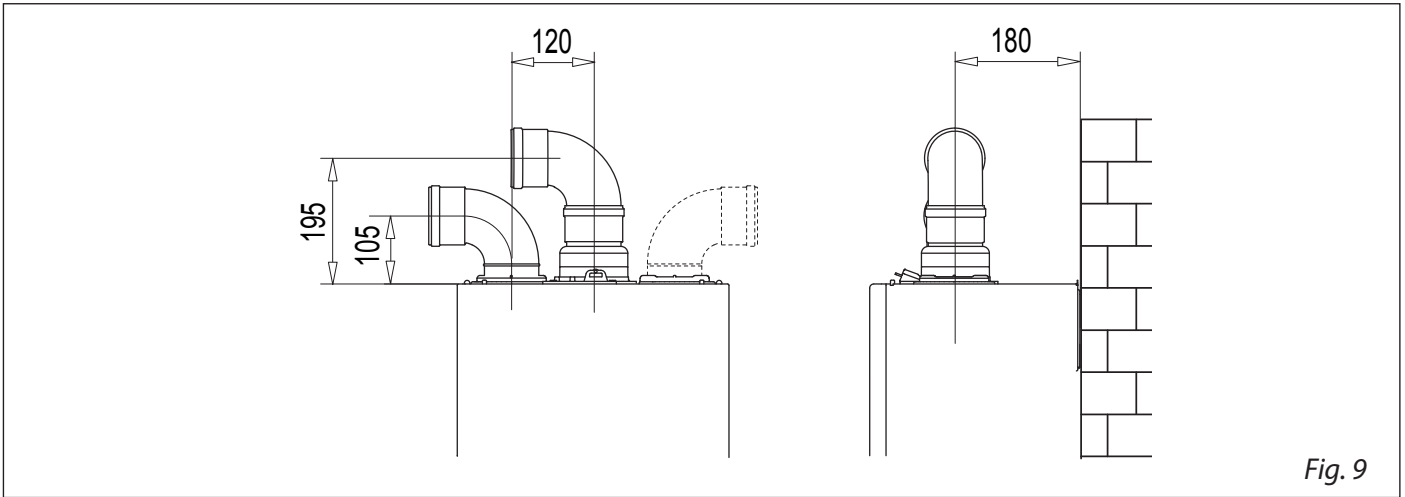


Fig. 9

For coaxial systems, the maximum development value, mentioned in the table below also takes into account an elbow.

For twin flue systems the maximum development value, mentioned in the table includes the exhaust gas/air intake terminal.

Twin flue systems outlets should respect the following instructions:

- 1- Use the same  $\varnothing$  80 mm flue pipes for the air intakes and exhaust gas ducts.
- 2- If you need to insert elbows in the air intake and exhaust gas ducts, you should consider for each one the equivalent length to be included in the calculation of developed length.
- 3- The exhaust gas duct should jut above the roof by at least 0.5 m.
- 4- The intake and exhaust gas ducts in Type C13 + C53 must be installed on the same wall, or where the exhaust is vertical and the air intake horizontal, the terminals must be on the same side of the building.

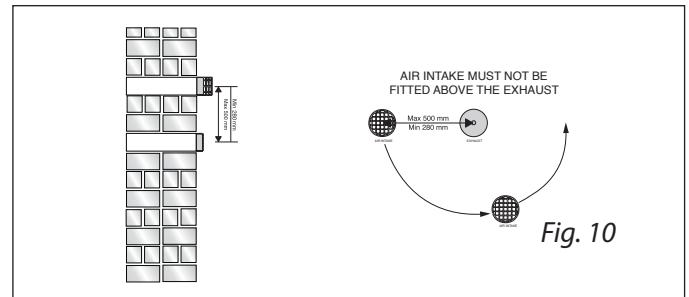


Fig. 10

# INSTALLATION

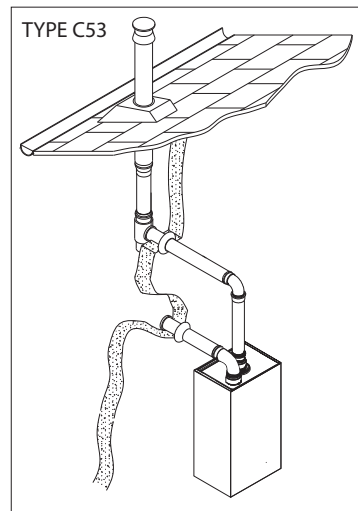
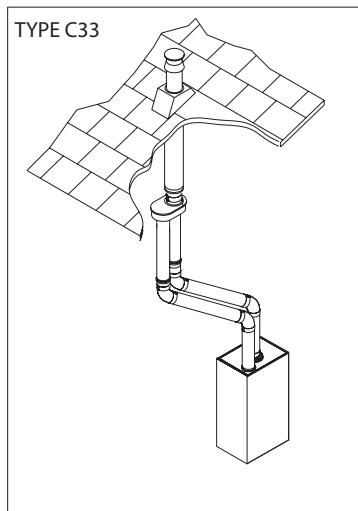
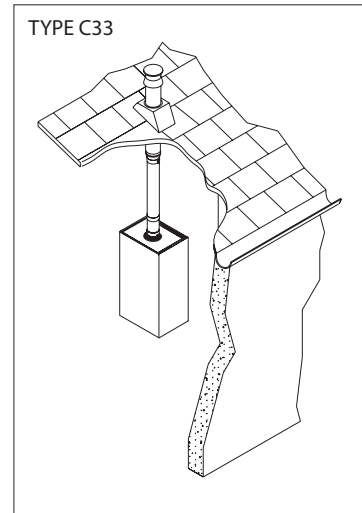
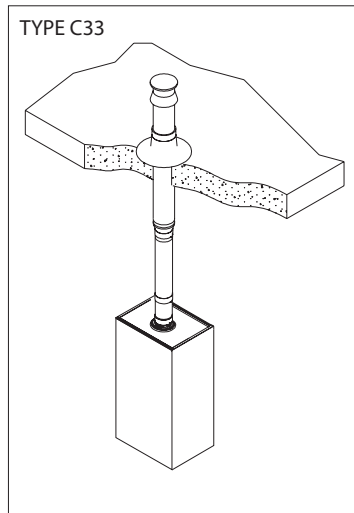
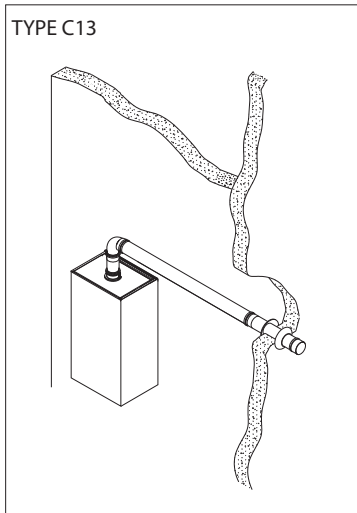
Table of flue gas exhaust duct lengths

FLUE TYPE		Maximum Extension Exhaust-air (m)		Diameter of pipe (mm)
		CLAS HER		
		24 EU		
Coaxial System	C13 C33 C43	12		ø 60/100
	C13 C33 C43	36		
	S1 = S2		ø 80/80	
Twin-pipe System	C13	36		
	C33	60		
	C43			
	S1 + S2		ø 80/80	
	C53	84		

S1 = Air intake S2 = Flue gas exhaust

S1 = S2 - Air intake and flue gas exhaust equal lengths

S1 + S2 - Air intake and flue gas exhaust unequal lengths



**WARNING!**



**BEFORE PERFORMING ANY WORK ON THE BOILER, FIRST DISCONNECT IT FROM THE ELECTRICAL POWER SUPPLY USING THE EXTERNAL BIPOLAR SWITCH AND REMOVE THE FUSE.**

**Electrical connections**

For increased safety, ask a qualified technician to perform a thorough check of the electrical system.

The manufacturer is not responsible for any damage caused by the lack of a suitable earthing system or by the malfunctioning of the electricity mains supply.

Make sure that the system is able to withstand the maximum power absorbed by the boiler (this is indicated on the appliance data plate). Check that the section of the wires is suitable and is not less 0,75 mm<sup>2</sup>

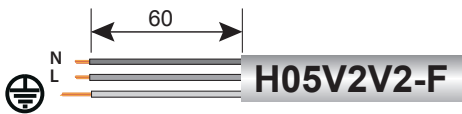
The appliance must be connected to an efficient earthing system if it is to operate correctly.

The power supply cable must be connected to a 230V-50Hz network, where the L-N poles and the earth connection are all respected.

Important!

In the event that the power supply cable must be changed, replace it with one with the same specifications.

**Power supply cable**



**Important!**

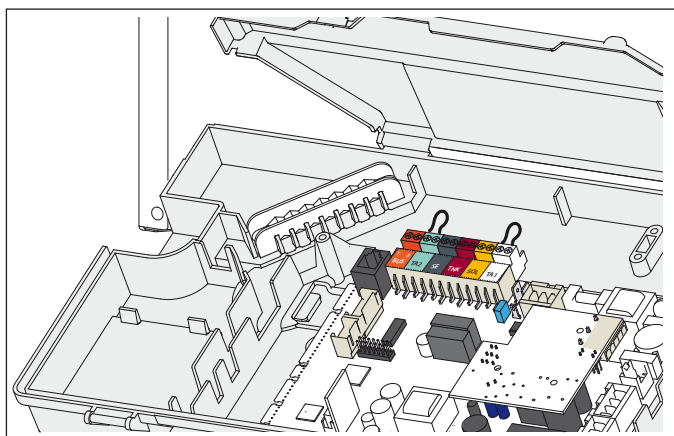
The appliance is supplied with a fly-lead already connected, this must be connected to a 240V supply fused at 3 Amp and must facilitate completed electrical isolation of the appliance, by use of a fused double pole isolator having a contact separation of at least 3mm in all poles or alternatively by means of a 3A fused three pin plug and unswitched shuttered socket outlet both complying with BS1363.



The use of multiplugs, extension leads or adaptors is strictly prohibited.

It is strictly forbidden to use the piping from the hydraulic, heating and gas systems for the appliance earthing connection.

The boiler is not protected against the effects caused by lightning. If the mains fuses need to be replaced, use 2A rapid fuses.

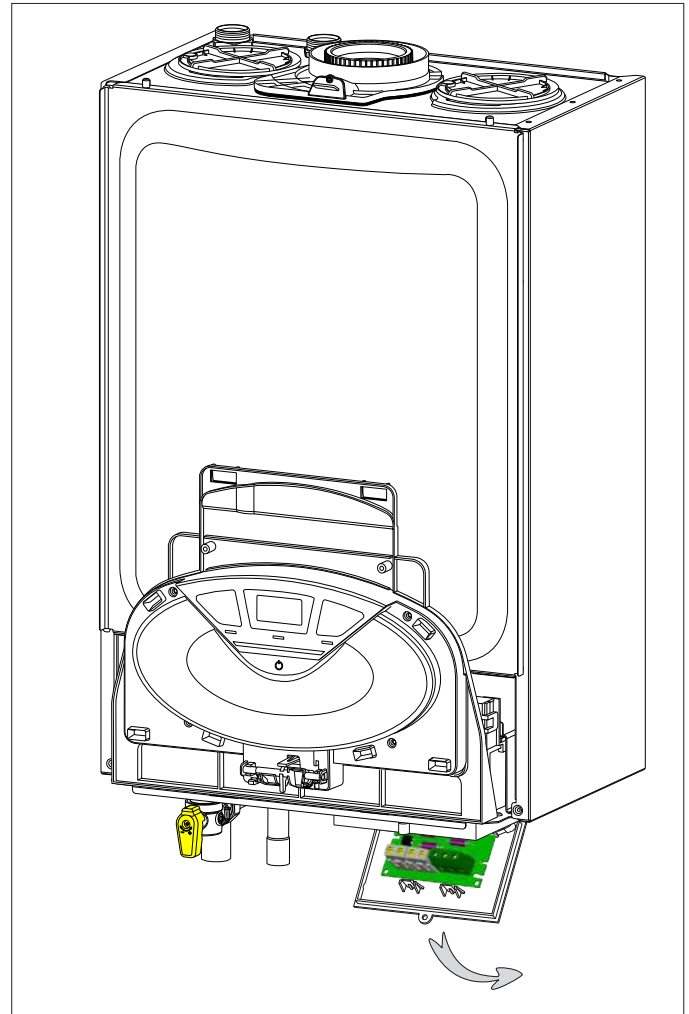


**Electrical connection unit**

To access the electrical connection unit carry out the following steps:

- Disconnect the boiler from the power supply
- Loosen the screws on the cover of the outside connection box below the boiler (see diagram below)
- Open the cover
- The connection PCB may be accessed in order to connect :

- Main supply**
- Live to pump**
- Zone valves**
- Outdoor sensor**
- Switched live connection/s**
- Cylinder stat**



**Caution!**

**For the connection and positioning of the wires belonging to optional peripheral units, please refer to the installation manuals of these units.**

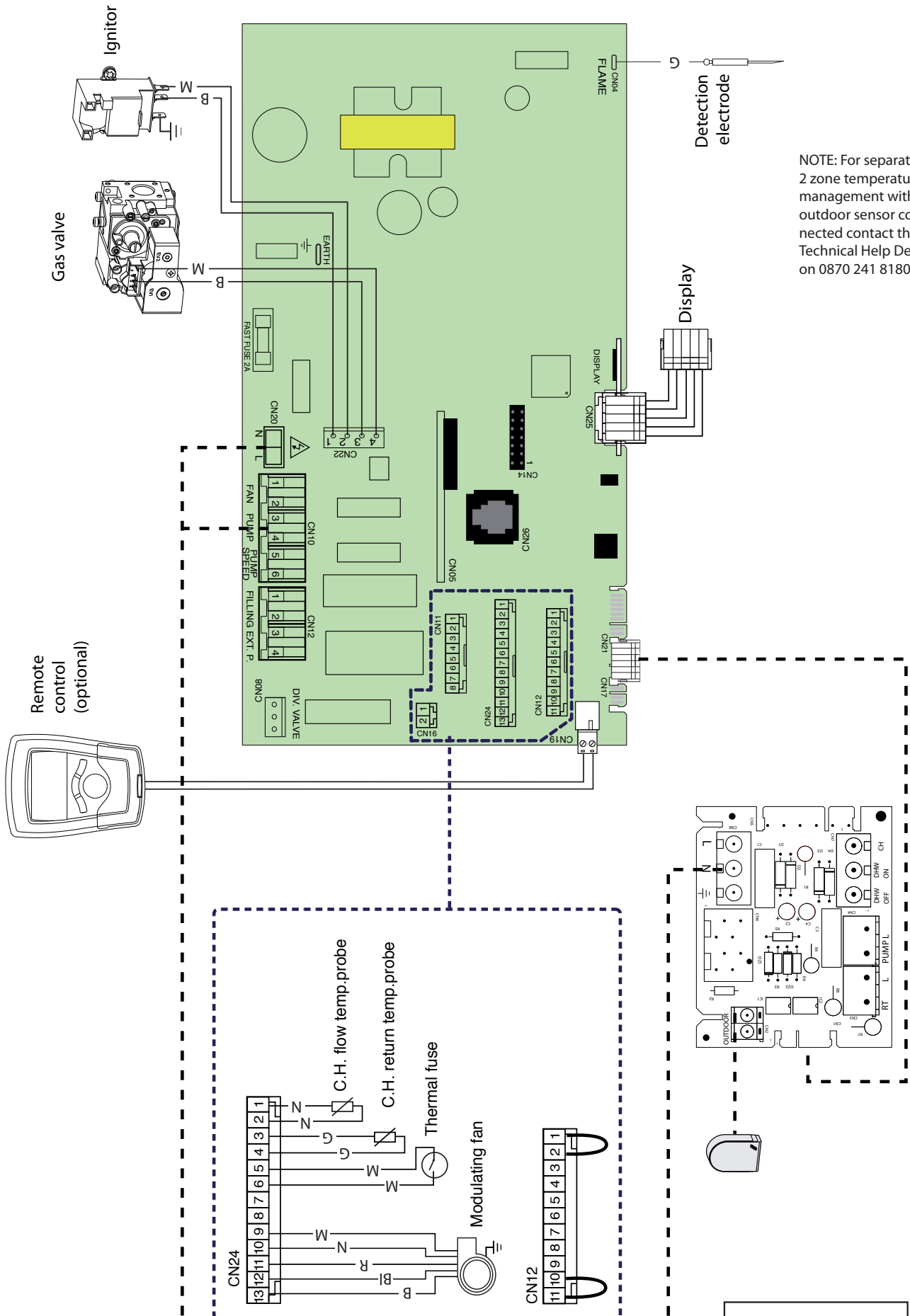


# INSTALLATION

## Electrical diagram

For increased safety, ask a qualified technician to perform a thorough check of the electrical system.

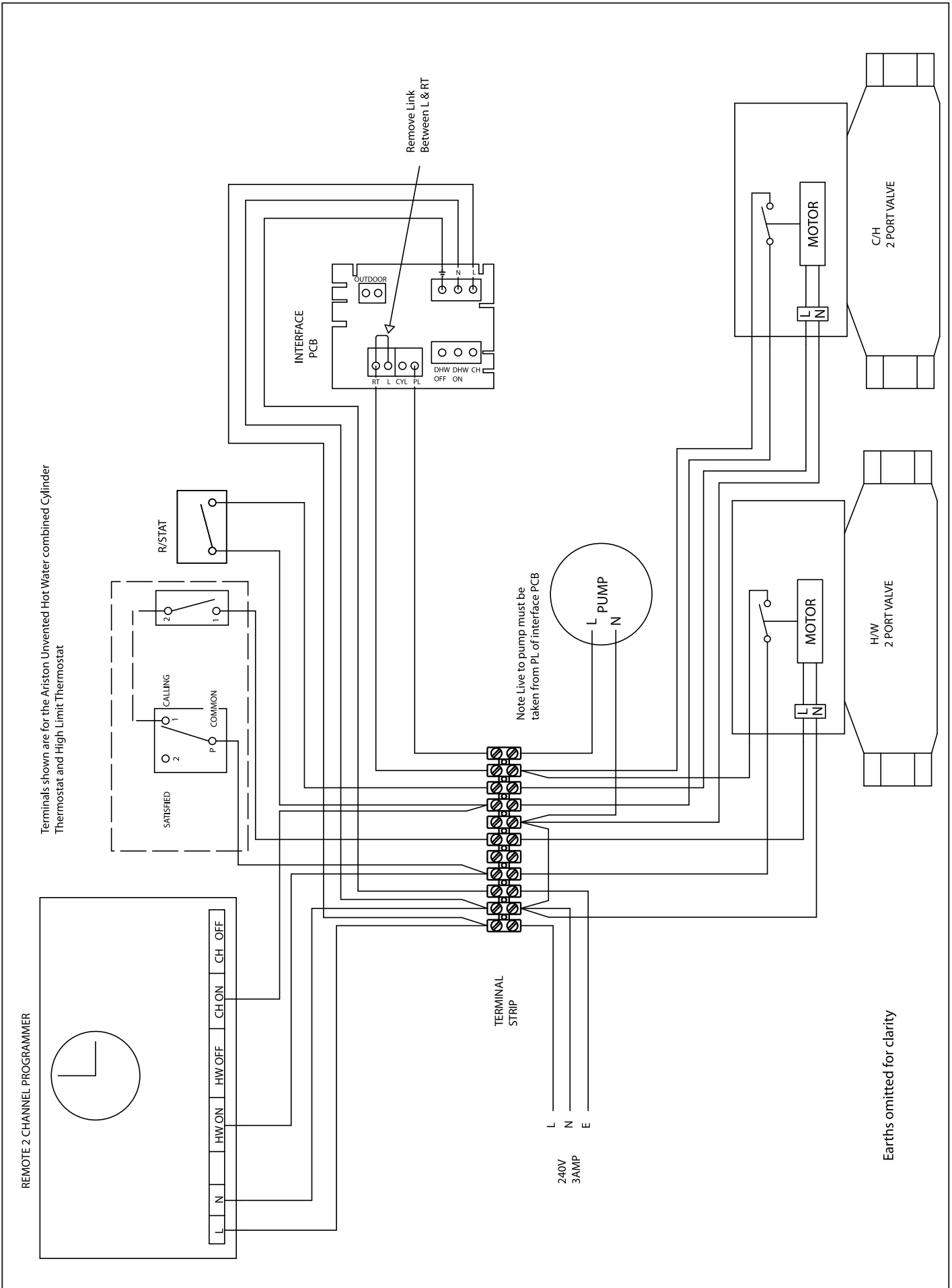
The manufacturer is not responsible for any damage caused by the lack of a suitable earthing system or by the malfunctioning of the electricity mains supply.



NOTE: For separate 2 zone temperature management with an outdoor sensor connected contact the Technical Help Desk on 0870 241 8180

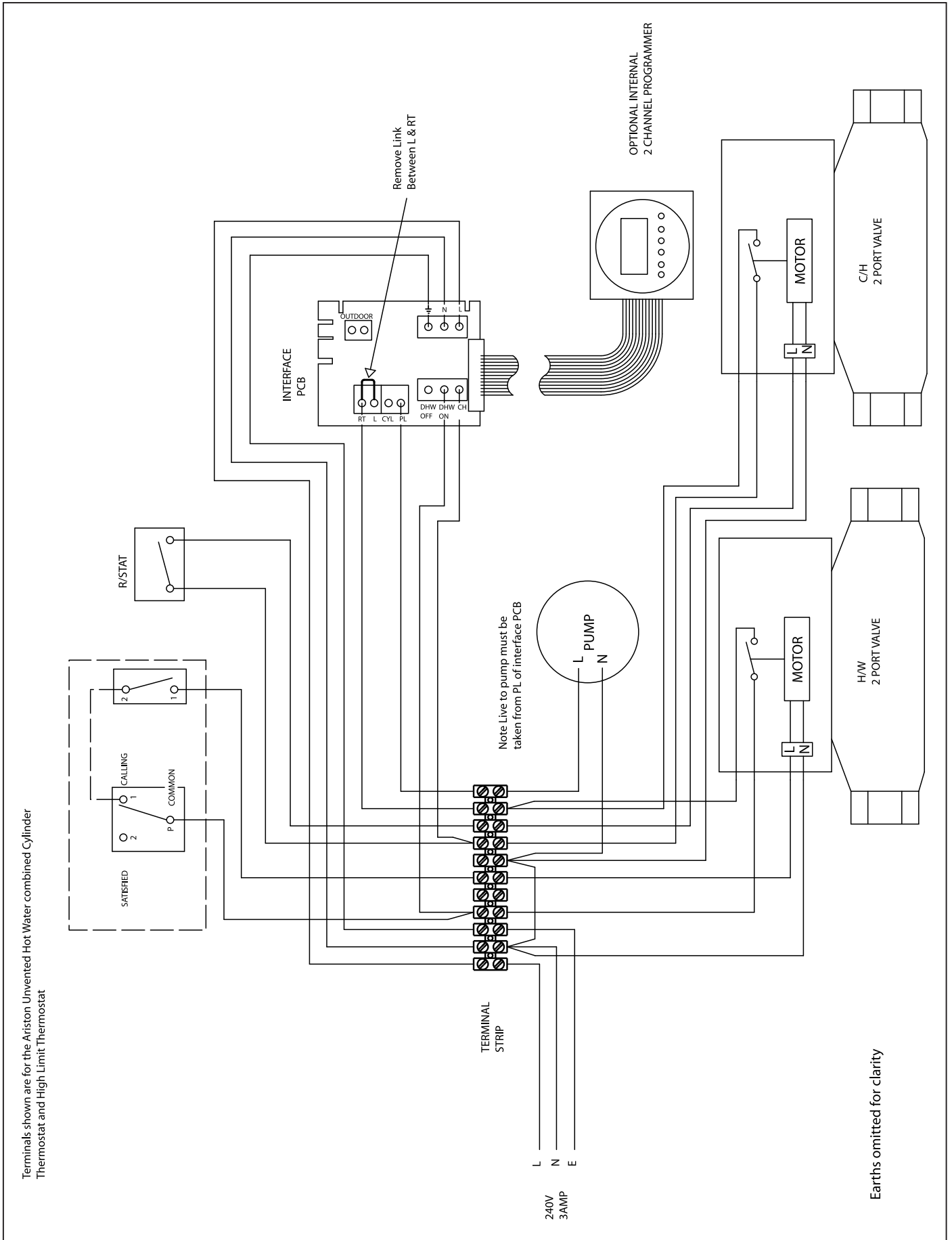


S Plan system utilizing external 2 channel programmer and Ariston unvented hot water cylinder



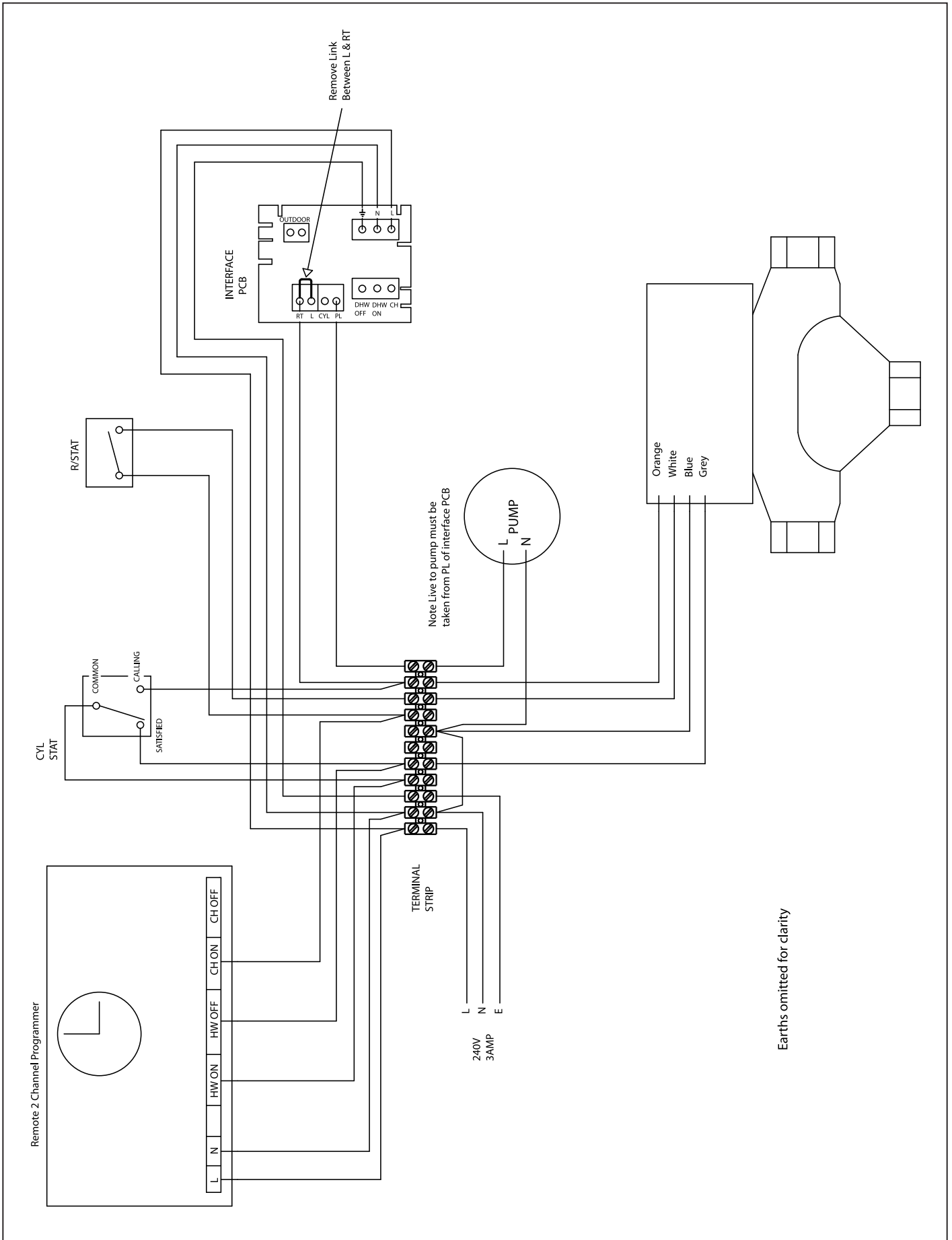
# INSTALLATION

## 5 Plan system utilizing integral 2 channel programmer and Ariston unvented hot water cylinder



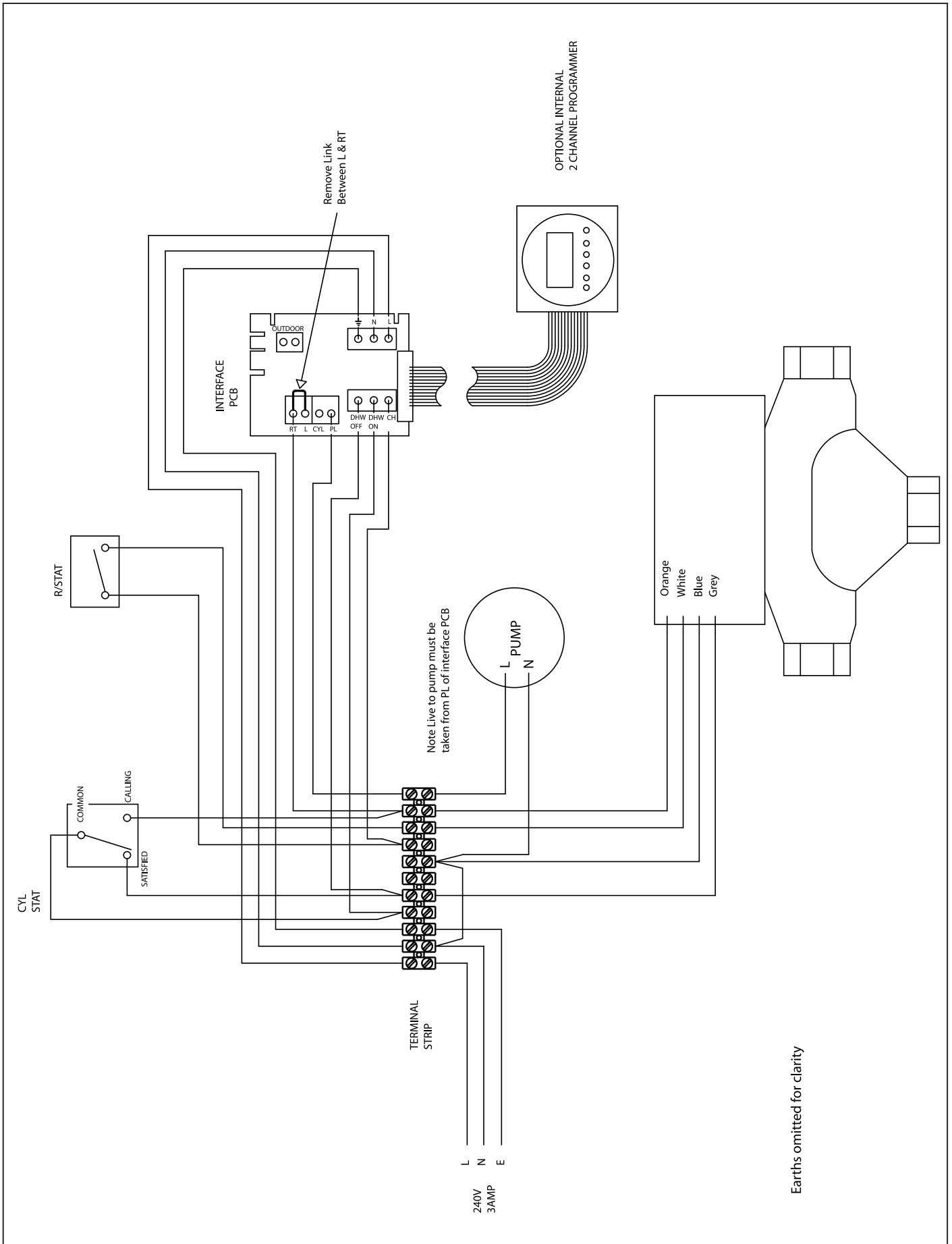
Terminals shown are for the Ariston Unvented Hot Water combined Cylinder Thermostat and High Limit Thermostat

Y Plan system utilizing external 2 channel programmer



# INSTALLATION

## Y Plan system utilizing integral 2 channel programmer



**Initial preparation**

Ariston Thermo UK Ltd Ltd support the benchmark initiative. On pages 59 and 60 of this manual the Benchmark Commissioning Checklist and Service interval Record can be found. It is important that this is completed in the presence of your customer, they are shown how to use it, and it is signed by them. Please instruct your customer that they must have this manual with them whenever they contact a service engineer or us.

Preliminary electrical system checks to ensure electrical safety must be carried out by a competent person i.e. polarity, earth continuity, resistance to earth and short circuit.

**Electricity supply**

- Check that the voltage and frequency of the electricity supply correspond to the data shown on the boiler data plate;
- Make sure that the earthing connection is efficient.

**Filling the Heating System:**

Close all air release valves on the central heating system;

**Open system**

Fill the boiler system via the feed and expansion tank.

**Sealed system**

Gradually open the valves at the filling point (filling loop) until water is heard to flow, do not open fully;

Open each air release tap starting with the lowest point and close them only when clear water free of air is visible;

Inspect the system for water tightness and remedy any leaks discovered.

**Gas Supply:**

Inspect the entire installation including the gas meter and test for tightness. The entire installation should be in accordance with the relevant standards. In GB this is BS 6891 and in IE this is the current edition of I.S.813.

The connection on the the appliance is a 15mm (22mm on 38Kw) nut and olive located at the rear of the gas service cock.

If the gas supply serves other appliances, ensure that an adequate supply is available both to the boiler and the other appliances when they are in use at the same time.

Pipe work must be of an adequate size. The final pipe size must not be smaller than the appliance inlet size.

Pipe work must be of an adequate size. Pipes of less than 22mm should not be used, final connection being 15mm.

Open the gas isolating valve (supplied with the connection kit) to the appliance and check the gas connection on the appliance for leaks.

**Water Treatment:**

The boiler is equipped with a stainless steel heat exchanger.

The detailed recommendations for water treatment are given in BS 7593:2006 (Treatment of water in domestic hot water central heating systems); the following notes are given for general guidance;

If the boiler is installed on an existing system, any unsuitable additives must be removed;

Under no circumstances should the boiler be fired before the system has been thoroughly flushed; the flushing procedure must be in line with BS7593:1992.

Firstly fill the central heating system with the power off, and flush through cold, fill the central heating system again, adding a flushing detergent, run the boiler on central heating until it reaches its operating temperature and flush the system, refill the system with a suitable corrosion inhibitor,

NOTE: FAILURE TO CARRY OUT THE FLUSHING PROCEDURE WILL RESULT IN THE WARRANTY BECOMING VOID.

# FIRST IGNITION OPERATION

Date .....

Installer .....

1. Check the electrical supply.

Complete .....

2. Check the type of gas and change the gas if necessary.

Complete .....

3. Check the gas tightness.

Complete .....

4. Measure the gas inlet standing pressure

Complete .....

5. Check the Flue

Complete .....

6. Fill the installation.

Complete .....

7. Check the hydraulic water tightness.

Complete .....

8. Set the heating power.

Complete .....

9. Balance the central heating circuit.

Complete .....

10. Measure the gas inlet working pressure.

Complete .....

11. Check the boiler combustion.

Complete .....

12. Gas rate the appliance.

Complete .....

13. Explain to the end user how to use the boiler/ timer/control

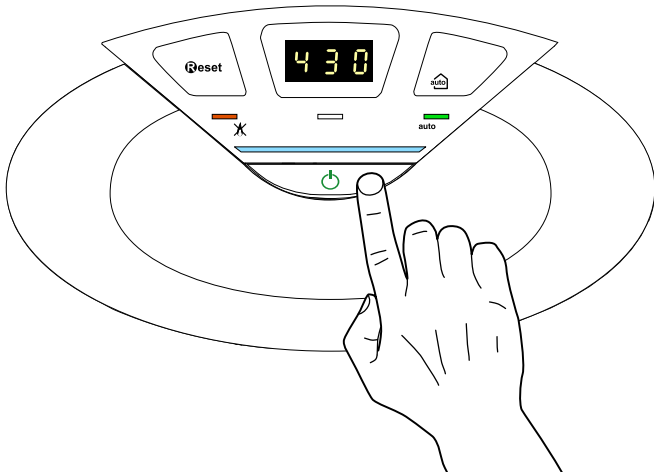
Complete .....

14. Complete the Benchmark Log Book

Complete .....

### Ignition procedure

Press the ON/OFF button on the control panel to switch on the boiler.



The display shows:

The operating mode will be indicated by the three figures marked out on the diagram above.

The first figure indicates the operating mode:

- 0 XX - Stand-by
- C XX - Boiler active
- c XX - "CH External Pump Overrun" - Heating external pump overrun
- F XX - Anti-freeze protection enabled

The second and third figures indicate:

- the flow temperature when no heating requests have been made
- the flow temperature in heating mode
- the flow temperature in anti-freeze mode.

### Electricity supply

- Check that the voltage and frequency of the electricity supply correspond to the data shown on the boiler data plate;
- Make sure that the earthing connection is efficient.

### First ignition

1. Make sure that:

- The gas valve is closed;
- The electrical connection has been properly carried out. Make sure that, the green/yellow earthing wire is connected to an efficient earthing system;
- Switch on the boiler (by pressing the ON/OFF button)
- Bleed the air from the system;
- The flue system should be suitable and free from any obstructions;

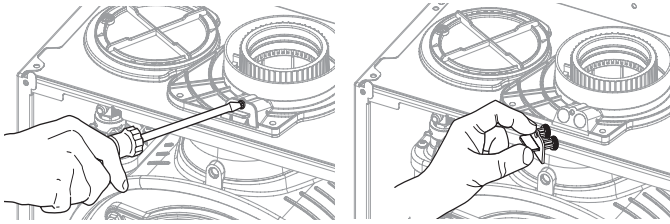
2. Open the gas isolating valve and check the connection seals, including the boiler connection joints, making sure that the meter does not detect any passage of gas. Eliminate any leaks.

3. Start the boiler by turning on the time control + ensure thermostats are calling for heat.

## Test function and combustion analysis

The boiler has two pressure test points to measure the combustion gas temperature, the combustive air and the concentrations of O<sub>2</sub> and CO<sub>2</sub> on the outside of the flue gas header.

To access these pressure test points, unscrew the screw which holds the blanking cover and its seal together.



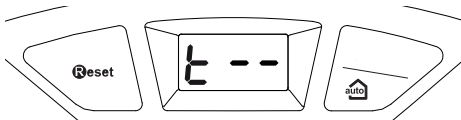
## Checking the gas setting

To carry out combustion analysis, the test function must be activated.

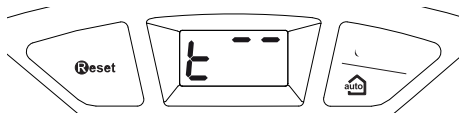
### Test function

The PCB allows the appliance to be forced to minimum or maximum power.

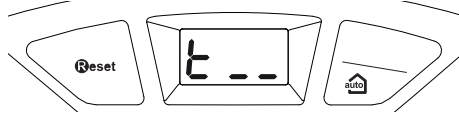
Activate the test function by pressing the **Reset** button for 5 seconds, the boiler switches to maximum heating power, the following appears on the display:



To select the function at maximum domestic hot water, press the **+** button, the following appears on the display:



To select the function at minimum domestic hot water, press the **-** button, the following appears on the display:



The function is automatically deactivated after 10 minutes or by pressing the **Reset** button.

Note: the appliance can be forced to minimum or maximum power from menu 7 (see the section on the display - setting - diagnostics menu).

**WARNING!** BY ACTIVATING THE TEST FUNCTION, THE TEMPERATURE OF THE WATER SENT TO THE INSTALLATION IS LIMITED TO 88°C; CAUTION IS THEREFORE REQUIRED WITH REGARD TO LOW-TEMPERATURE INSTALLATIONS.

## Maximum gas flow combustion analysis

Activate the test function at the maximum heating power, press the **+** button.

Wait for the boiler to stabilise before carrying out the combustion analysis. Check the CO<sub>2</sub> value according to the table opposite.

Maximum or minimum CO <sub>2</sub>	CLAS HE R 24 EU
	CO <sub>2</sub> (%)
<b>G20</b>	from 8.3 to 9.7
<b>G31</b>	from 9.8 to 10.2

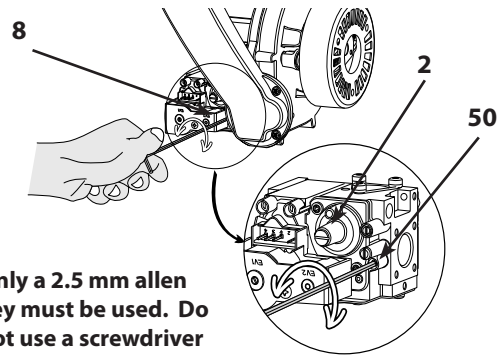
**N.B: when the front combustion chamber panel is open, the CO<sub>2</sub> value drops by 0.3%.**

If the values taken differ from the table, adjust the gas valve following the procedure described below.

Adjust the CO<sub>2</sub> content to  $\pm 0.2$  by turning setting screw **50 (2.5 mm allen key)**

- tighten to lower the CO<sub>2</sub> value
- unscrew to increase the CO<sub>2</sub> value

Set the content by turning the screw about a 1/4 of a turn then wait after each change for approximately 1 minute for the CO<sub>2</sub> value to stabilise, then repeat.



**Only a 2.5 mm allen key must be used. Do not use a screwdriver**

## Minimum gas flow combustion analysis

Activate the test function at minimum power by pressing the **-** button.

Wait for the boiler to stabilise before carrying out the combustion analysis. Check the CO<sub>2</sub> value according to the table above.

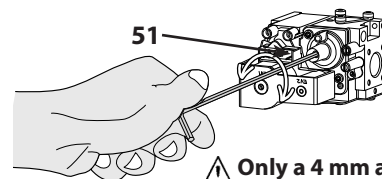
Important: do not remove silencer **13**

**N.B: when the combustion chamber is open, the CO<sub>2</sub> value drops by 0.3%.**

If the values taken differ from the table, adjust the gas valve following the procedure described below.

To adjust the CO<sub>2</sub> value, remove cap **2**, adjust the CO<sub>2</sub> content to  $\pm 0.2$  by turning setting screw **51 (4 mm allen key)**

- unscrew to lower the CO<sub>2</sub> value
- tighten to increase the CO<sub>2</sub> value



**Only a 4 mm allen key must be used. Do not use a screwdriver**

Set by turning the screw about a 1/4 of a turn then wait after each change for approximately 1 minute for the CO<sub>2</sub> value to stabilise, then repeat.

Once the settings and analyses are complete, exit test mode, and reposition the blanking cover and its seal correctly.



**menu 2 - Boiler parameters**

NOTE: To access the menus, see page 36

**submenu 3 - parameter 1**

**Maximum Heating Power adjustment**

**submenu 2 - parameter 0**

Soft light Ignition

**submenu 3 - parameter 5**

**Heating ignition delay**

**Maximum Heating Power adjustment**

The maximum heating power can be adjusted to between the maximum power allowed by the boiler and the minimum power.

The display shows the value between 100% ("99" on the display) and 0% ("0").

To check the maximum heating power, access menu 2/sub menu 3/parameter 1, check the value and, if necessary, modify it as indicated in the Gas Regulation table. (below).

**Checking slow ignition power**

The soft light can be adjusted between the maximum power (shown on the display as "99", i.e. 100%) and the minimum power (shown on the display as "1", i.e. 1%).

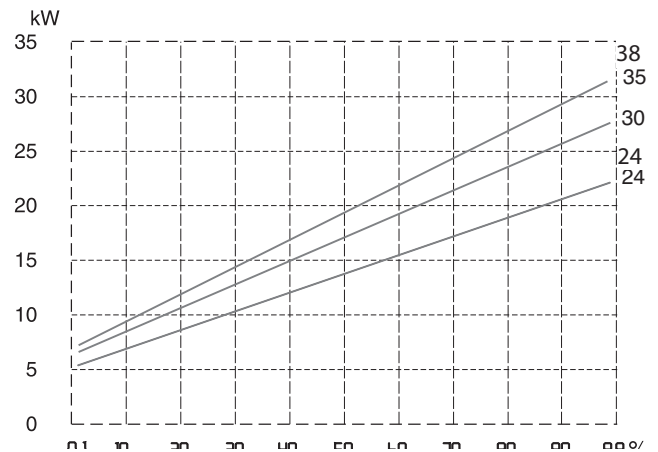
To check the slow ignition power, access menu 2/sub menu 2/parameter 0.

**Heating ignition delay adjustment**

This parameter – menu 2/sub menu 3/parameter 5 - can be used to manually (0) or automatically (1) set the delay time before the subsequent reignition of the burner after it has switched off on reaching the desired temperature in central heating mode.

By selecting manual (0), it is possible to set the delay in minutes using the successive parameter (menu 2/sub menu 3/parameter 6), to a time between 0 and 7 minutes.

Automatic selection means that the boiler will establish the delay time based on the set-point temperature.



Gas setting		CLAS HER	
		24 EU	
parameters		G20	G31
lower Wobbe index (15°C, 1013 mbar) (MJ/m3)		45,67	70,69
slow ignition	220	60	
minimum fan speed(%)	233	16	
maximum output fan speed (%)	234	85	
gas valve restrictor(ø)		NO	3,80
gas flow max/min (15°C, 1013 mbar) (nat - m3/h) (GPL - kg/h)	max C.H.	2,33	1,71
	min	0,58	0,43

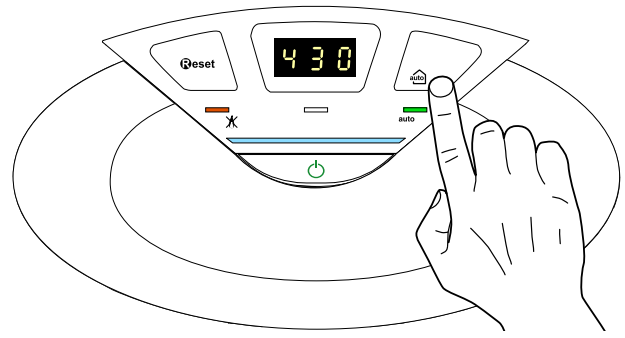
### AUTO function

The AUTO function determines the best power output and flow temperature for the heating system by continually monitoring demand. It uses advanced modulating technology to closely track demand and matches output with the highest precision. This ensures that either with or without the addition of further controls the activation of the AUTO function will enhance boiler performance. Optimum performance can be achieved by the addition of an outdoor sensor and indoor modulating controls.

Depending on the peripheral units connected and the number of zones controlled, the boiler adjusts its flow temperature automatically.

The various corresponding parameters should therefore be set (see adjustments menu).

To activate the function, press the Auto button.



#### Example 1:

Single zone system (high-temperature) with on/off room thermostat:

In this case the following parameters must be set:

- 4 21 - Activation of temperature adjustment using sensors
  - Select 1 = Basic temperature adjustment
- 2 44 - Boost Time (optional)

The wait time for the flow temperature increase in steps of 4°C may be set. The value varies according to the type of system and installation.

If the Boost Time value = 00 the function is not activated.

#### Example 2:

Single zone system (high-temperature) with on/off room thermostat + outdoor sensor:

In this case the following parameters must be set:

- 4 21 - Activation of temperature adjustment using sensors
  - Select 3 = outdoor sensor only
- 4 22 - Temperature adjustment curve selection
  - Select the relevant curve according to the type of system, installation, heat insulation used in the building, etc (see pae 45).
- 4 23 - Perform a parallel curve shift if necessary, increasing or decreasing the set-point temperature (this may also be modified by the user, using the heating temperature adjustment knob, which, with the Auto function activated, is used to shift the curve in a parallel manner).

NOTE: Two zone temperature management is not suitable for use with Y Plan systems.

NOTE: Where an outdoor sensor is connected and the system is supplying stored domestic hot water and a central heating circuit, each circuit must be separately connected to the PCB using the 'RT' and 'Cyl' connections.

This is to ensure a correct flow temperature to the stored hot water in the summer.

For further information please contact the Technical Help Desk on 0870 241 8180

### Boiler protection devices

The boiler is protected from malfunctioning by means of internal checks performed by the P.C.B., which stops the boiler from operating if necessary.

In the event of the boiler being shut off in this manner, a code appears on the display which refers to the type of shut-off and the reason behind it.

There are two types of shut-off:

#### Safety shut-off

This type of error is "volatile", which means that the boiler starts up again automatically as soon as the problem which caused the shut-off is removed; the error is indicated by the «Err» symbol which appears on the display and the error code.

In fact, as soon as the cause of the shut-off disappears, the boiler starts up again and continues to operate normally.

While the boiler is shut off for safety reasons it is possible to attempt to restore normal operation by switching the appliance off and on again using the on/off button on the control panel.

If after attempting this the boiler still shows a safety shut off, switch it off and ensure that the external electrical switch is in the off position.

#### Shutdown

This type of error is "non-volatile", which means that it is not removed automatically. To restore normal operation press the **Reset** button on the control panel.

The first figure of the error code (e.g. 1 01) indicates within which operational assembly the error occurred.

1 - Primary Circuit

3 - Internal Electronic Part

5 - Ignition and Detection

6 - Air inlet - flue gas outlet

#### Malfunction warning

This warning is shown by the display in the following format:

5 P1 = FIRST IGNITION ATTEMPT UNSUCCESSFUL

the first figure indicating the operational assembly is followed by a P (warning) and the code relating to the specific warning.

#### Important

If this shutdown occurs frequently, contact an authorised Technical Service Centre for assistance. For safety reasons, the boiler will permit a maximum of 5 resets in 15 minutes (5 presses of the RESET button); at the 6th attempt within this 15-minute period the boiler will shut down and may only be operated again after the electricity supply has been disconnected. If the shutdown is occasional or an isolated event, this is not a problem.

#### Anti-frost Device.

The anti-frost function acts on the central heating flow temperature probe, independently from other regulations, when the electrical supply is turned on.

If the primary circuit temperature is between 3°C and 8°C the pump will run until the temperature reaches > 9°C.

If the flow temperature remains between 3°C and 8°C the pump will continue to run for a maximum of 20 minutes unless a temperature above > 9°C is detected in the central heating flow, after this the burner will fire (heating position) until a temperature of > 30°C is detected.

If the central heating flow temperature is < 3°C, the burner will fire (heating position) at minimum power until the temperature reaches > 30°C, the burner will go out.

If lockout is caused by overheat the burner will not fire but the pump will continue to run.

The anti-frost device activates only when (with the boiler operating correctly):

- the boiler is electrically powered;
- there is a supply of gas.

Table summarising error codes

Central Heating circuit	
Display	Description
1 01	Overheat
1 03	Insufficient circulation
1 04	
1 05	
1 06	
1 07	
1 10	Flow temp. probe circuit open / short circuit
1 12	Return temp. probe circuit open / short circuit
1 14	External sensor circuit open / short circuit
1 18	Heating delivery probe problem
1 P1	Insufficient circulation indication
1 P2	
1 P3	
Internal P.C.B.'s	
3 01	EEPROM error
3 02	Communication error
3 03	Main P.C.B. error
3 04	Too many (> 5) resets in 15 minutes
3 05	Main P.C.B. error
3 06	Main P.C.B. error
3 07	Main P.C.B. error
Ignition and Detection	
5 01	No flame detected
5 02	Flame detected with gas valve closed
5 04	Flame lift
5 P1	1st Ignition Failed
5 P2	2nd Ignition Failed
5 P3	Flame cut-off
Air Inlet / Flue gas outlet	
6 04	Insufficient fan speed
6 10	Thermofuse open

## Accessing the settings - adjustment - problem identification menus

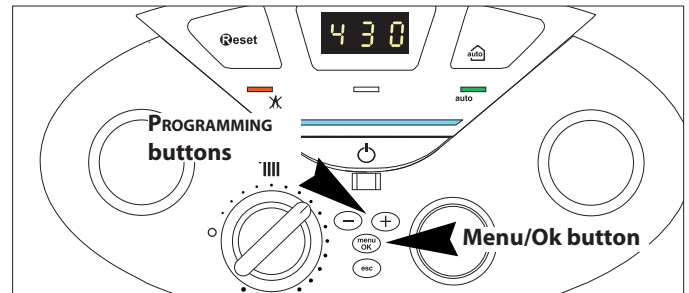
The boiler can be used to manage the heating system in its entirety. Navigation within the menus enables the boiler system + connected peripheral units to be customised, optimising operation for maximum comfort and maximum saving. It also provides important information relating to the efficient operation of the boiler.

The following menus are available:

<b>2</b>	<b>Boiler Parameter</b>
2 1	Service code (234)
2 2	General setting
2 3	C.H. Parameters - Part 1
2 4	C.H. Parameters - Part 1
2 5	Do not use
2 9	Menu 2 Reset to factory setting
<b>3</b>	<b>Solar &amp; Storage</b>
3 0	General setting
3 1	Service code (234)
3 2	Special setting
<b>4</b>	<b>Zone 1 Parameters</b>
4 0	Set-point Zone1
4 1	Service code (234)
4 2	Zone 1 Setting
4 3	Diagnostics
4 4	Zone device mangement
<b>5</b>	<b>Zone 2 Parameters</b>
5 0	Set-point Zone2
5 1	Service code (234)
5 2	Zone 2 Setting
5 3	Diagnostics
5 4	Zone device mangement
5 5	Multizone
<b>7</b>	<b>Test &amp; Utilities</b>
<b>8</b>	<b>Service Parameter</b>
8 1	Service code (234)
8 2	Boiler
8 3	Boiler Temperature
8 4	Don't use
8 5	Service
8 6	Statistics
8 7	E@sy - NOT ACTIVE
8 8	Error History

The parameters relating to each individual menu are listed in the following pages.

The various parameters can be accessed and modified using the MENU/OK button and programming buttons (+) and (-). (see fig. below).



To access the Menus, open the cover and proceed as follows:

1. Press the MENU/OK button; the first figure 000 will flash on the display.
2. Press the buttons (+) or (-) to select a menu, for example: "200"
3. Press the MENU/OK button; the second figures on the display will flash, e.g. "210".

**Caution!** The menus reserved for qualified technicians may only be accessed after setting the access code.

4. Press the MENU/OK button; 222 will appear on the display unit.
5. Press the buttons (+) or (-) to select code 234
6. Press the MENU/OK button to select the sub menu; the second figures will flash, e.g. "220".
7. Press the buttons (+) or (-) to select a sub menu; for example: "230"
8. Press the MENU/OK button to access the sub menu parameters; the three figures will flash, for example: "230".
9. Press the buttons (+) or (-) to select a parameter; for example: "231"
10. Press the MENU/OK button to access the parameter; the display will indicate the value, e.g. "10".

**Note:** The parameter value will be displayed for 20 seconds, then will begin to flash in alternation with the parameter, e.g. "10 > 231".

11. Press the buttons (+) or (-) to select the new value, e.g. "15".
12. Press MENU/OK to save the change or press Esc to exit without saving.

To exit, press the Esc button until the normal display screen is restored.

For menus which do not require the access code, it is possible to pass directly from the menu to the sub menu.

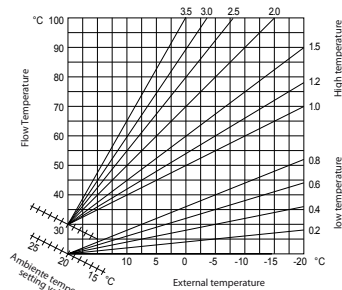
## SETTINGS - ADJUSTMENT - PROBLEM IDENTIFICATION MENUS

menu	sub-menu	Parameter	Description	value	default setting	
------	----------	-----------	-------------	-------	-----------------	--

<b>2</b>			<b>BOILER PARAMETER SETTING</b>			
2	1		Entering access code		222	press the programming "+" button to select 234 and press the MENU button
<b>2</b>	<b>2</b>		<b>BOILER GENERAL SETTING</b>			
2	2	0	Slow ignition	0 to 99	60	RESERVED FOR SAT
2	2	1	Minimum ambient temperature for antifreeze activation	from 2 to 10 °C	5	Activated only with the modulating peripheral device (optional)
2	2	2	NOT PRESENT			
2	2	3	Underfloor thermostat or zone 2 ambient thermostat selection	0 = Underfloor safety thermostat 1 = Zone 2 ambient thermostat	1	Do not modify
2	2	4	NOT PRESENT			
2	2	5	NOT PRESENT			
2	2	6	NOT PRESENT			
2	2	7	NOT PRESENT			
2	2	8	Boiler Version Do not modify	0 to 5	0	RESERVED FOR TECHNICAL ASSISTANCE Only if the PCB is changed
<b>2</b>	<b>3</b>		<b>BOILER PARAMETER - PART 1</b>			
2	3	0	NOT PRESENT			
2	3	1	Maximum heating power setting	0 to 99		see the "gas setting" table, in commissioning
2	3	2	Domestic hot water maximum RPM percentage CANNOT BE MODIFIED	0 to 99		RESERVED FOR TECHNICAL ASSISTANCE Only if the gas or PCB is changed
2	3	3	Minimum RPM percentage CANNOT BE MODIFIED	0 to 99		see "gas setting" table in commissioning
2	3	4	Heating maximum RPM percentage CANNOT BE MODIFIED	0 to 99		
2	3	5	Selection of ignition delay type when heating	0 = Manual 1 = Automatic	1	see section on "gas setting" in commissioning
2	3	6	Ignition delay when heating timer setting	from 0 to 7 minutes	3	
2	3	7	Post-circulation when heating	from 0 to 15 minutes or OC (AC)	3	
2	3	8	NOT PRESENT			
2	3	9	NOT PRESENT			
<b>2</b>	<b>4</b>		<b>BOILER PARAMETER - PART 2</b>			
2	4	0	NOT PRESENT			
2	4	1	NOT PRESENT			
2	4	2	NOT PRESENT			
2	4	3	Post-ventilation after heating request	0 = OFF 1 = ON	0	
2	4	4	Time delay after heating temperature increase	from 0 to 60 minutes	16	activated only with thermostat On/Off and heating control activated (parameter 421 or 521 = 01)
			This parameter allows the time delay to be set before automatic increase of the flow temperature calculated in increments of 4°C (max 12°C). If this parameter retains the value 00, this function is not active.			
2	4	5	NOT PRESENT			
2	4	6	NOT PRESENT			
2	4	7	Device indicator for heating circuit pressure	0 = temperature sensor only 1 = pressure switch at minimum 2 = pressure sensor	0	RESERVED FOR TECHNICAL ASSISTANCE Only if the PCB is changed
2	4	8	NOT PRESENT			
<b>2</b>	<b>5</b>		<b>DOMESTIC HOT WATER PARAMETER</b>			
2	5	0	NOT PRESENT			
2	5	1	NOT PRESENT			
2	5	2	NOT PRESENT			

## SETTINGS - ADJUSTMENT - PROBLEM IDENTIFICATION MENUS

menu	sub-menu	Parameter	Description	value	default setting		
2	5	3	NOT PRESENT				
2	5	4	NOT PRESENT				
2	5	5	NOT PRESENT				
2	9	<b>RESET MENU 2</b>					
2	9	0	Automatically resetting to the default setting in menu 2	Reset OK = yes ESC = no		To reset all default parameter settings, press the MENU button	
4	<b>ZONE 1 PARAMETER</b>						
4	0	<b>ZONE 1 TEMPERATURE SETTING</b>					
4	0	0	Zone 1 comfort temperature setting "Comfort ambience T"	from 10 to 30 °C	19	Activated only with the modulating device connected (option)	
4	0	1	Zone 1 reduced temperature setting "Reduced ambience T"	from 10 to 30 °C	16		
4	0	2	Heating fixed temperature setting "Heating fixed temp"	from 20 to 82 °C	70	Activated only with temperature control and fixed temperature	
4	1	Entering access code				222	press the programming "+" button to select 234 and press the MENU button
4	2	<b>ZONE 1 SETTING</b>					
4	2	0	Heating appliance temperature value setting	0 = from 20 to 45°C (low temperature) 1 = from 35 to 85°C (high temperature)	1	select in the appliance type base	
4	2	1	Basic heating control type selection type depending on the peripheral devices connected	0 = fixed flow temperature 1 = device On/Off 2 = ambient sensor only 3 = external sensor only 4 = ambient sensor + external sensor	1	To activate heating control, press the AUTO button. The Auto light is illuminate	
4	2	2	Slope  If the external sensor is used, the boiler calculates the most suitable heating flow temperature taking the external temperature and the type of appliance into account.  The type of curve must be chosen according to the type of appliance radiator and the heat losses present in the building.	0_2 to 3_5	1_5		
4	2	3	Parallel shift  To adapt the thermal curve to the appliance requirements, it is possible to perform a parallel shift of the curve in order to alter the calculated flow temperature and therefore the ambient temperature.  The shift value between - 20 and + 20 is shown on the display. Each level corresponds to a 1°C increase in the flow temperature in relation to the initial setting.	- 20 to + 20	0		
4	2	4	Compensation	0 to + 20  if setting = 0, the temperature taken from the ambient sensor does not affect the calculation of the setting. If setting = 20, the temperature taken has maximum influence on the setting.	20		
4	2	5	Zone 1 heating maximum temperature setting	35 to + 82°C 20 to + 45°C	82 45	if parameter 420 = 1 if parameter 420 = 0	
4	2	6	Zone 1 heating minimum temperature setting	35 to + 82°C 20 to + 45°C	35 20	if parameter 420 = 1 if parameter 420 = 0	
4	3	<b>DIAGNOSTICS</b>					display only
4	3	0	Zone 1 room temperature			Activated only with the modulating device connected (option)	
4	3	1	Zone 1 set temperature				
4	3	2	Zone 1 heat request	0=OFF 1=ON			
4	3	3	NOT PRESENT				



## SETTINGS - ADJUSTMENT - PROBLEM IDENTIFICATION MENUS

menu	sub-menu	Parameter	Description	value	default setting	
4	4	<b>ZONE DEVICE MANAGEMENT</b>				
4	4	0	NOT PRESENT			
5	<b>ZONE 2 PARAMETER</b>					
5	0	<b>ZONE 2 TEMPERATURE SETTING</b>				
5	0	0	NOT PRESENT			
5	0	1	NOT PRESENT			
5	0	2	NOT PRESENT			
5	1	Entering access code			222	press the programming "+" button to select 234 and press the MENU button
5	2	<b>CYLINDER SETTING</b>				
5	2	0	Heating appliance temperature value setting	0 = from 20 to 45°C (low temperature) 1 = from 35 to 85°C (high temperature)	1	select in the appliance type base
5	2	1	Basic heating control type selection type depending on the peripheral devices connected	0 = fixed flow temperature 1 = device On/Off 2 = ambient sensor only 3 = external sensor only 4 = ambient sensor + external sensor	0	To activate heating control, press the AUTO button. The Auto light is illuminate
5	2	2	NOT PRESENT			
5	2	3	NOT PRESENT			
5	2	4	NOT PRESENT			
5	2	5	Zone 2 heating maximum temperature setting	35 to + 82°C 20 to + 45°C	82 45	if parameter 420 = 1 if parameter 420 = 0
5	2	6	Zone 2 heating minimum temperature setting	35 to + 82°C 20 to + 45°C	35 20	if parameter 420 = 1 if parameter 420 = 0
5	3	<b>DIAGNOSTICS</b>				
5	3	0	NOT PRESENT			
5	3	1	NOT PRESENT			
5	3	2	NOT PRESENT			
5	3	3	Zone 2 set temperature			
5	3	4	Zone 2 heat request	0=OFF 1=ON		
5	3	5	Zone 2 Pump status	0=OFF 1=ON		
5	4	<b>ZONE DEVICE MANAGEMENT</b>				
5	4	0	NOT PRESENT			
5	4	1	NOT PRESENT			
5	4	2	NOT PRESENT			
5	5	<b>MULTIZONE</b>				
5	5	0	NOT PRESENT			
5	5	1	NOT PRESENT			
7	<b>TEST &amp; UTILITIES</b>					
7	0	0	Function test - Cleaning turn the encoder to select the operating mode	t-- = funct. at Max heating power	t--	activation can also be obtained by pressing the <b>Reset</b> button for 10 seconds. The function is deactivated after 10 minutes or by pressing <b>Reset</b>
7	0	1	Bleed cycle	press <b>Menu</b>		
8	<b>PARAMETER FOR TECHNICAL ASSISTANCE</b>					
8	1	Entering access code			222	press the programming "+" button to select 234 and press the MENU button
8	2	<b>BOILER</b>				
8	2	0	NOT PRESENT			
8	2	1	Fan status	ON or OFF		
8	2	2	Fan speed (x100) rpm			
8	2	3	NOT PRESENT			
8	2	4	NOT PRESENT			

## SETTINGS - ADJUSTMENT - PROBLEM IDENTIFICATION MENUS

menu	sub-menu	Parameter	Description	value	default setting	
8	2	5	NOT PRESENT			
8	2	6	NOT PRESENT			
8	3	<b>BOILER TEMPERATURE</b>				
8	3	0	Heating adjustment temperature (°C)			
8	3	1	Heating flow temperature (in °C)			
8	3	2	Heating backflow temperature (in °C)			
8	3	3	NOT PRESENT			
8	4	<b>SOLAR APPLIANCE AND TANK</b>				
8	4	0	NOT PRESENT			
8	4	1	NOT PRESENT			
8	4	2	NOT PRESENT			
8	4	3	NOT PRESENT			
8	4	4	NOT PRESENT			
8	4	5	NOT PRESENT			
8	4	6	NOT PRESENT			
8	5	<b>SERVICE - TECHNICAL ASSISTANCE</b>				
8	5	0	NOT PRESENT			
8	5	1	NOT PRESENT			
8	5	2	NOT PRESENT			
8	5	3	NOT PRESENT			
8	5	4	PCB hardware version			
8	5	5	PCB software version			
8	5	6	NOT PRESENT			
8	6	<b>STATISTICS</b>				
8	6	0	Number of hours burner operating in heater mode (xxh/10)			
8	6	1	NOT PRESENT			
8	6	2	Number of flame separations (nr/10)			
8	6	3	Number of ignition cycles (nr/10)			
8	6	4	NOT PRESENT			
8	6	5	Average length of heating request (minutes)			
8	7	<b>E@SY HOTLINE NOT ACTIVE</b>				
8	7	0				
8	7	1				
8	8	<b>ERROR LIST</b>				
8	8	0	10 last errors	from E00 to E99		
			This parameter allows the last 10 boiler errors flagged to be displayed, indicating the day, month and year. When the parameter is accessed, the errors are displayed listed from E00 to E99. For each error, the following sequence is displayed: E00 - error number 108 - error code			
8	8	1	Error list reset	Reset OK = yes ESC = no		



### Important

Maintenance is an essential part of the safe and efficient operation of the boiler and ensures its durability. It should be performed according to the instructions given in current legislation. Perform combustion analysis regularly in order to check the operating efficiency of the boiler and to make sure any polluting substances released are within the boundaries set by current legislation.

Before beginning maintenance work:

- Disconnect the appliance from the electricity supply by turning the external bipolar switch to the "OFF" position;
- Remove the fuse
- Close the gas isolation valve.

After the work has been completed the initial settings will be restored.

### General comments

It is recommended that the following inspections be carried out on the boiler at least once a year:

1. Check the seals in the water part and, if necessary, replace the gaskets and restore the seal to perfect working order.
2. Check the seals in the gas part and, if necessary, replace the gaskets and restore the seal to perfect working order.
3. Visually check the overall condition of the boiler.
4. Visually check the combustion and, if necessary, disassemble and clean the burner.
5. Following the inspection detailed in point "3", disassemble and clean the combustion chamber, if necessary.
6. Following the inspection detailed in point "4", disassemble and clean the burner and injector, if necessary.
7. Cleaning the primary heat exchanger
8. Make sure the following heating safety devices are operating correctly:
  - temperature limit safety device.
9. Make sure that the following gas part safety devices are operating correctly:
  - absence of gas or flame safety device (ionisation).
10. Perform a general inspection of the boiler operation.
11. Remove oxide from the detection electrode using an emery cloth.
12. After servicing, complete the relevant Service Interval Record section of the Benchmark Checklist (page 59).
13. These checks are not exhaustive. Further mechanical, electrical, condensate and combustion maintenance checks may be required.
14. Clean and refill the condensate trap

### Operational test

After having carried out the maintenance operations, fill the heating circuit at a pressure of approximately 1.5 bar and release the air from the system (scaled system only).

- Begin operating the boiler.
- If necessary, release the air from the heating system again.
- Check the settings and make sure all the command, adjustment and monitoring parts are working correctly.
- Check the flue system is sealed and operating correctly.

### Draining procedures

The heating system must be drained using the following procedure:

- Switch off the boiler, make sure the external bipolar switch is in the OFF position;
- Open the system drain off cock and collect the escaping water in a container;
- Empty the water from the lowest points of the system (where applicable).

If the system is to be left inactive in areas where the room temperature may fall below 0°C during winter, we recommend that anti-freeze liquid is added to the water in the heating system in order to avoid the need for repeated draining; when this liquid is used make sure it is compatible with the stainless steel used for the bodywork of the boiler.

We recommend the use of anti-freeze products which contain PROPYLENE GLYCOLS as these inhibit corrosion and that they are used in conjunction with the anti-scaling and anti-corrosion function, in the quantities suggested by the manufacturer, at the minimum temperature.

Regularly check the pH level of the water/anti-freeze mix in the boiler circuit and replace it when the value measured is lower than the limit prescribed by the manufacturer.

### DO NOT MIX DIFFERENT TYPES OF ANTI-FREEZE.

The manufacturer will not be held liable for any damage caused by the appliance or the system due to the use of inappropriate anti-freeze substances or additives.

### WARNING

Before handling, empty all components which may contain hot water, performing bleeding where necessary.

Descale the components in accordance with the instructions provided on the safety data leaflet supplied with the product used, make sure the room is well ventilated, wear protective clothing, avoid mixing different products, and protect the appliance and surrounding objects.

Seal all openings used to take a gas pressure reading or to make any gas adjustments.

Make sure that the nozzle is compatible with the supplied gas.

If a smell of burning is detected or smoke is seen leaking from the appliance, or there is a smell of gas, disconnect it from the electricity supply, shut off the gas valve, open the windows and call for technical assistance.

### Cleaning the condensate trap

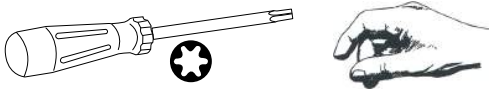


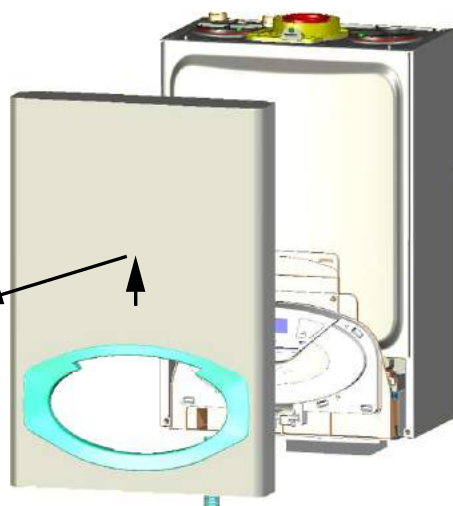

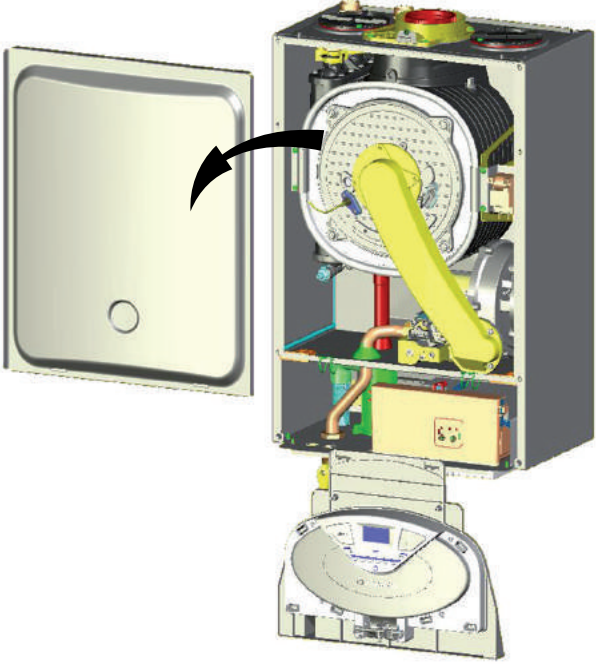
The trap is accessed by emptying the condensate bowl located in the bottom section. Wash with water and detergent.

Replace the condensate collection bowl in its housing.



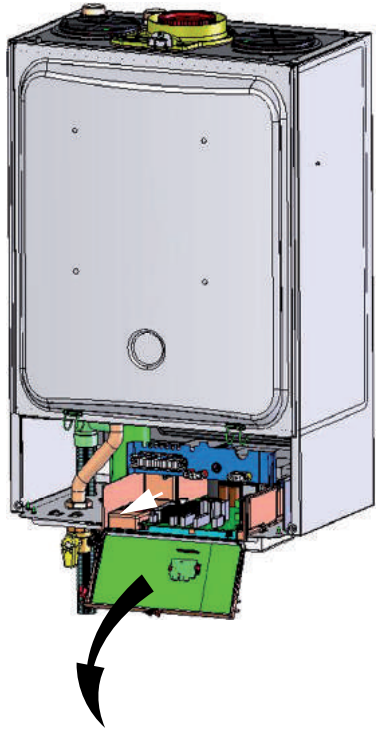
NB: In the event of prolonged use of the appliance, the trap must be filled before being used again.



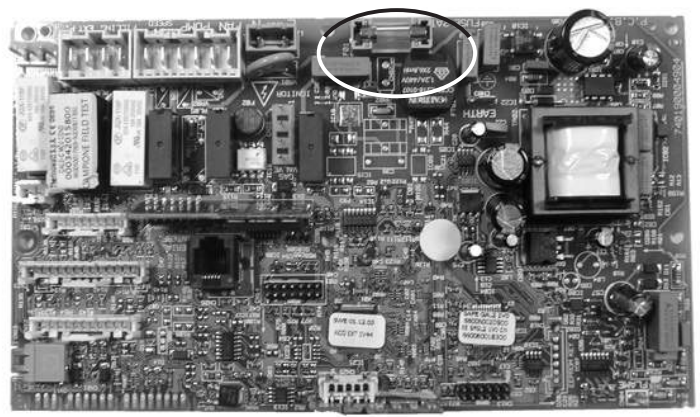

A lack of water in the siphon is dangerous and may cause exhaust gases to be released into the atmosphere.

1. GENERAL ACCESS

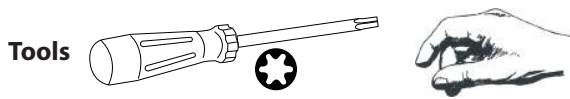
<p><b>Tools</b></p> 	<p><b>Time</b></p>  <p>3 min</p>	
<p><b>1</b></p>  <p>Remove the two screws</p>	 <p>Remove the front panel</p>	 <p>Lower the control panel</p>
<p><b>2</b></p>		<p>Remove the combustion chamber front panel by releasing the clips</p>

## 2. ELECTRICAL UNIT

2.1 CONTROL BOX ACCESS		Time  4 min
Tools 	<p>1</p>  <p>Pull and Lower the electrical box cover</p>	

2.2 FUSE		Time  4 min
Tools 	<p>1</p>  <p>Remove the fuse</p>	

2.3 MAIN PCB



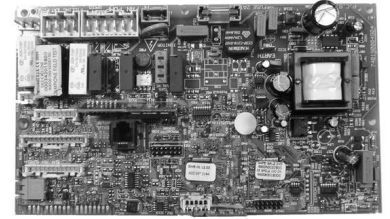
1



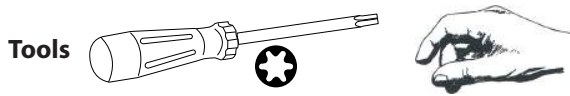
After opening the control box, disconnect the electrical plug connectors



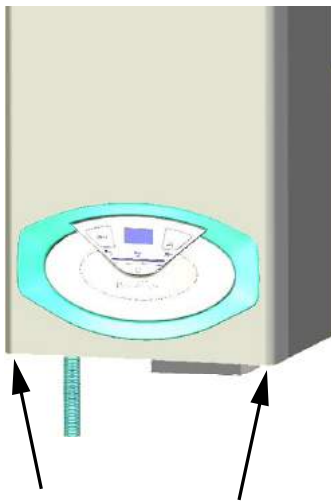
Unscrew the two screws and remove the PCB



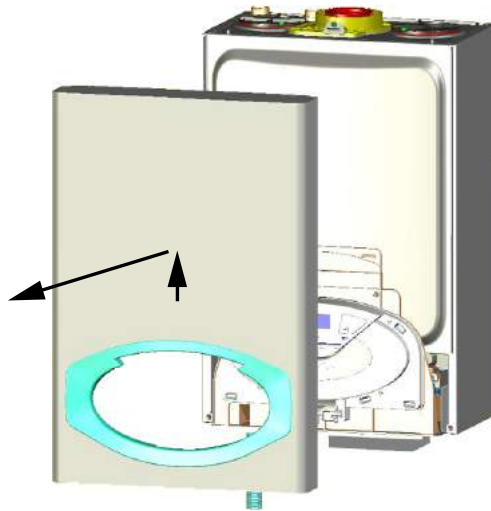
2.4 DISPLAY PCB



1



Remove the two screws



Remove the front panel



Lower the door

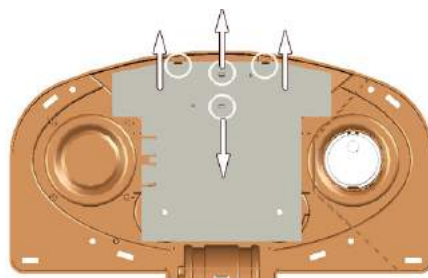
2



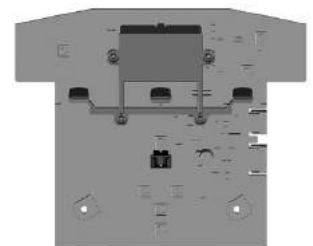
Remove the control knob



Unscrew the four screws and pull the assembly towards you



Disconnect the electrical plug connectors, unlock the four clamps, and remove the PCB



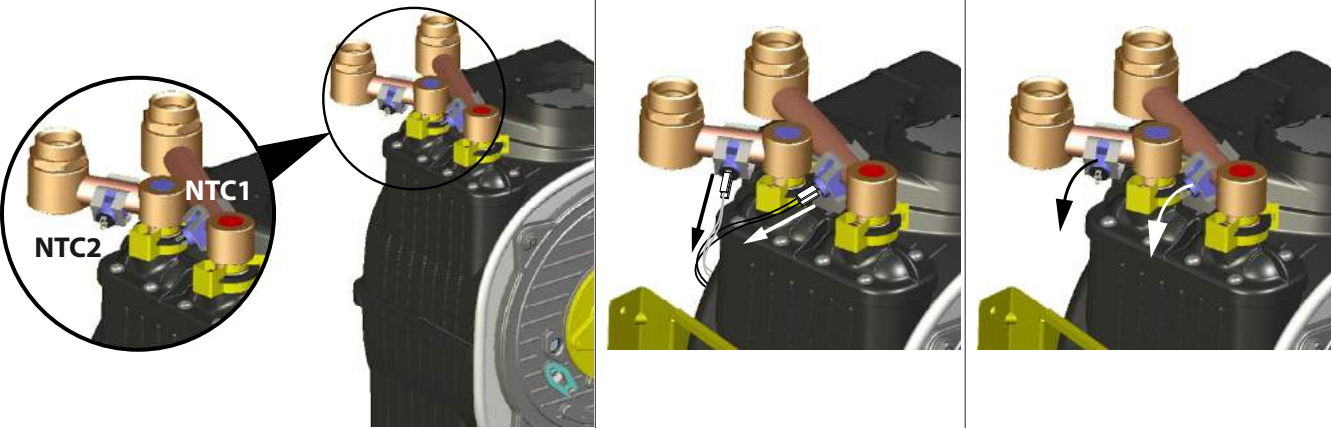


3. HYDRAULIC UNIT

**3.1 CONDENSE TRAP**

<b>Tools</b>		<b>Time</b>	 3 min
<b>1</b>	 <p>Unscrew the condense trap from the condense body</p>		

**3.2 TEMPERATURE SENSORS**

<b>Tools</b>		<b>Time</b>	 5 min
<b>1</b>	 <p>NTC1 : Black wires NTC2 : Grey wires</p> <p>Unplug the electrical connectors</p> <p>Remove the clip and the temperature sensor</p>		

**IMPORTANT !** Do not use conducting paste for the contact sensors because it will alter the resistance value.

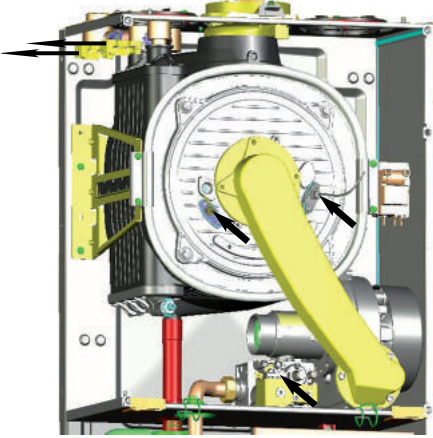
TEMPERATURE	RESISTANCE (kOmh)
0	27
10	17
20	12
25	10
30	8
40	5
50	4

3. HYDRAULIC UNIT

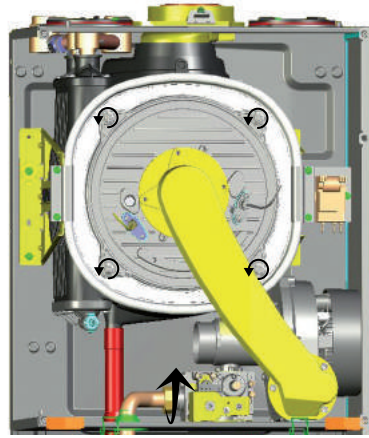
3.3 MAIN HEAT EXCHANGEUR



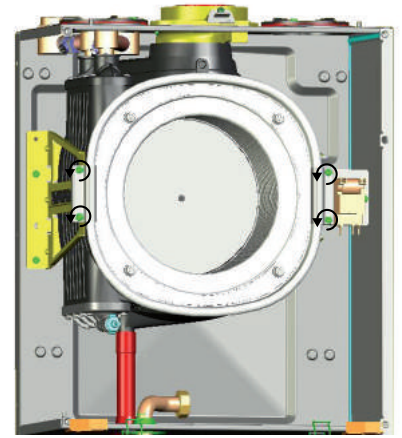
1



Remove the two clips and disconnect the two pipes  
Disconnect electrical gas valve, and electrode (detection and ignition)



Remove the four screws and disconnect the gas pipe from the gas valve



Remove the four screws to free the heat exchanger

2

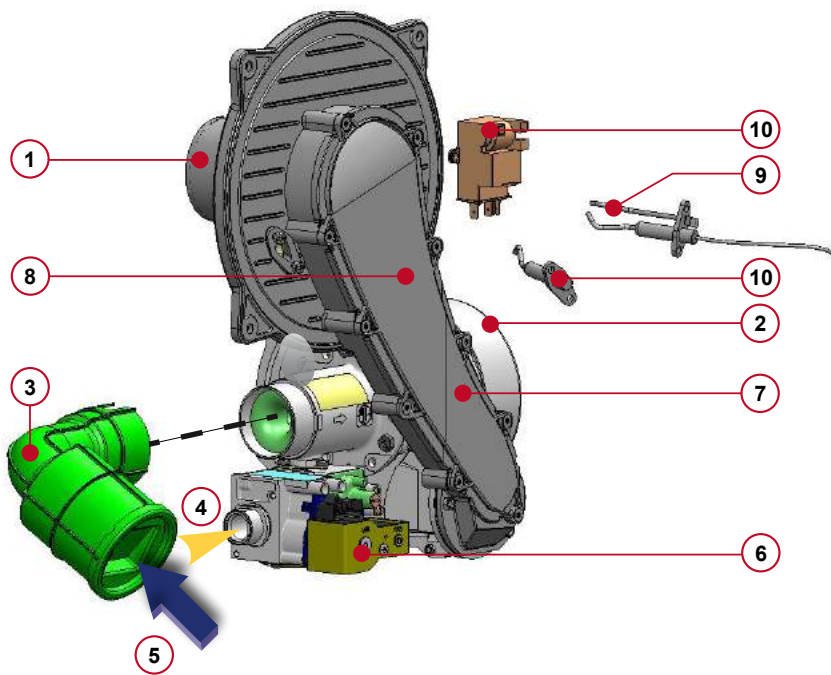


Pull the heat exchanger towards you

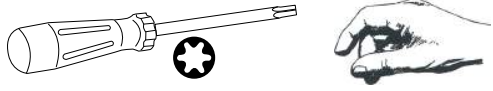

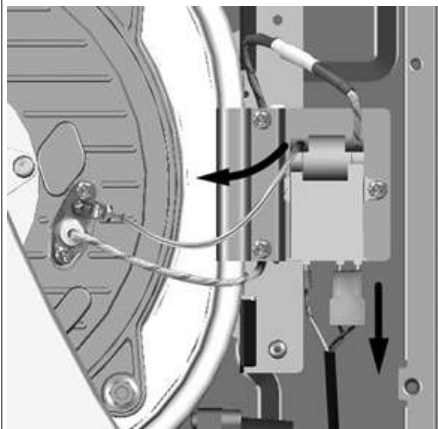
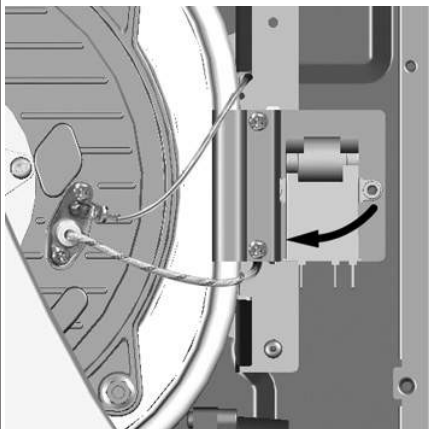


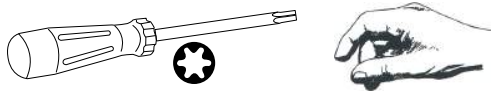

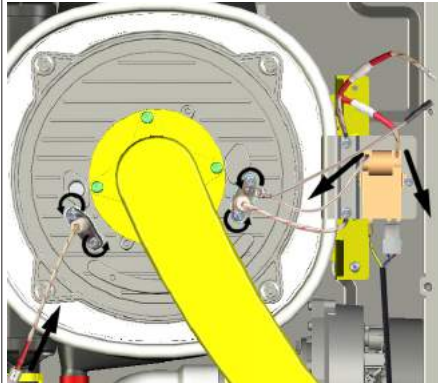
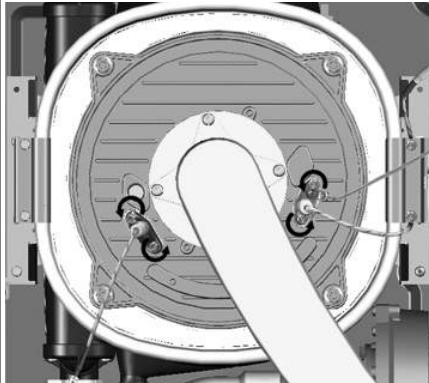

Twist the thermal fuse to remove

4. BURNER UNIT





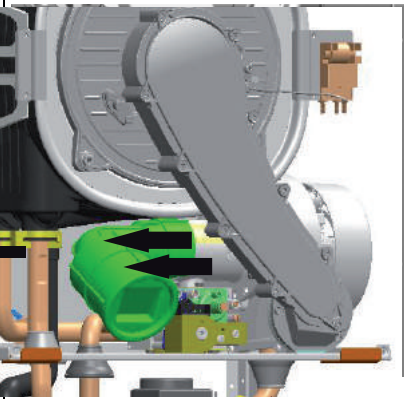
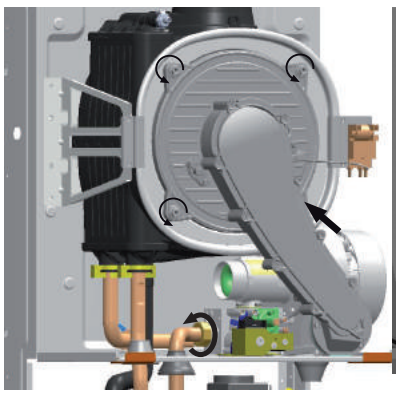
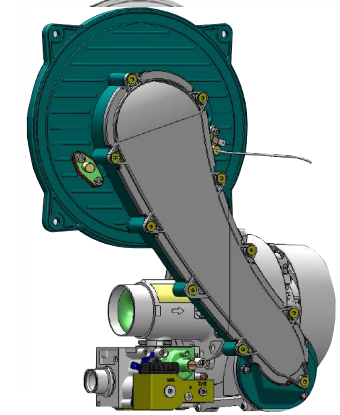
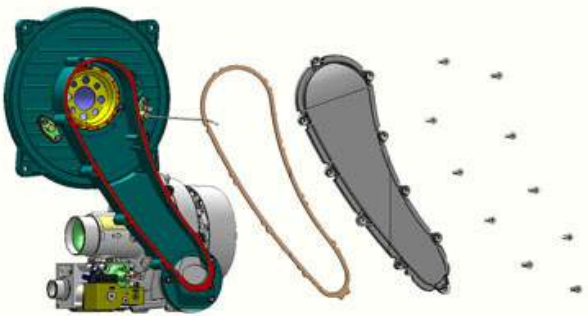
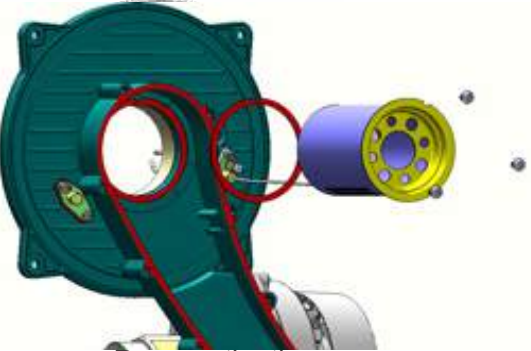
LEGEND	
1.	Burner
2.	Fan
3.	Silencer
4.	Gas inlet
5.	Air inlet
6.	Gas valve
7.	Mixing tube
8.	Detection electrode
9.	Ignition electrode
10.	Spark generator

4.1 SPARK GENERATOR		Time
Tools		 5 min
1	 <p>Unplug the ignition electrode from the spark generator</p>  <p>Remove the screws and the spark generator</p>	

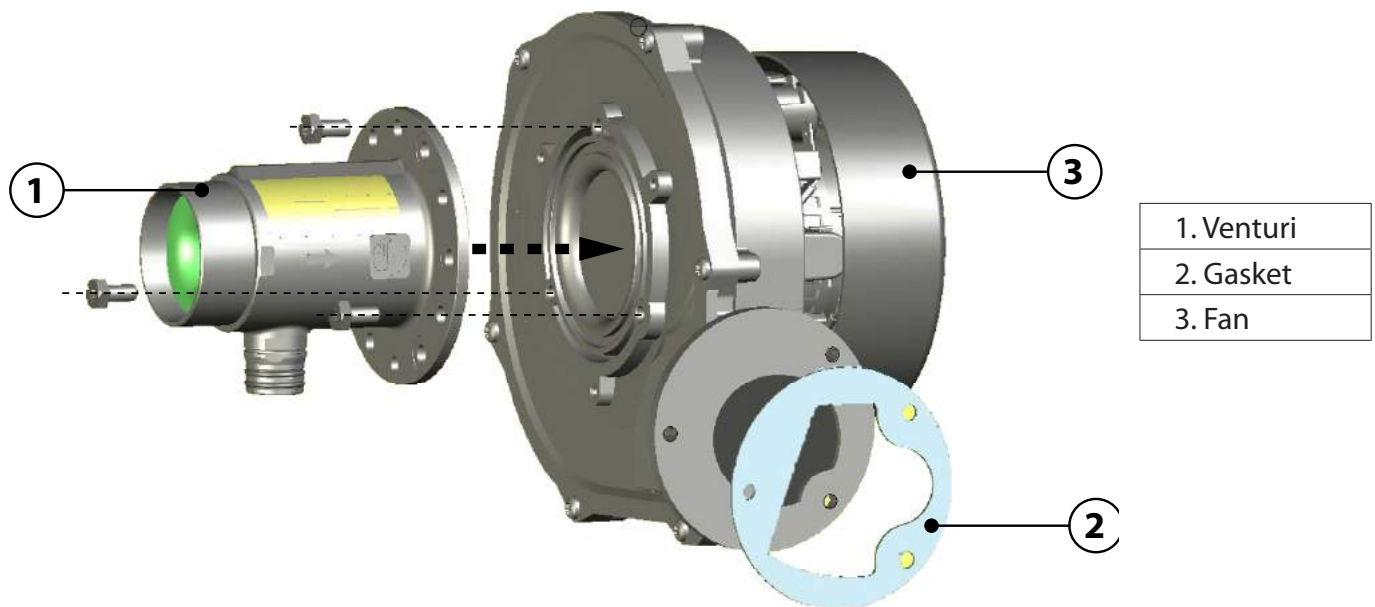
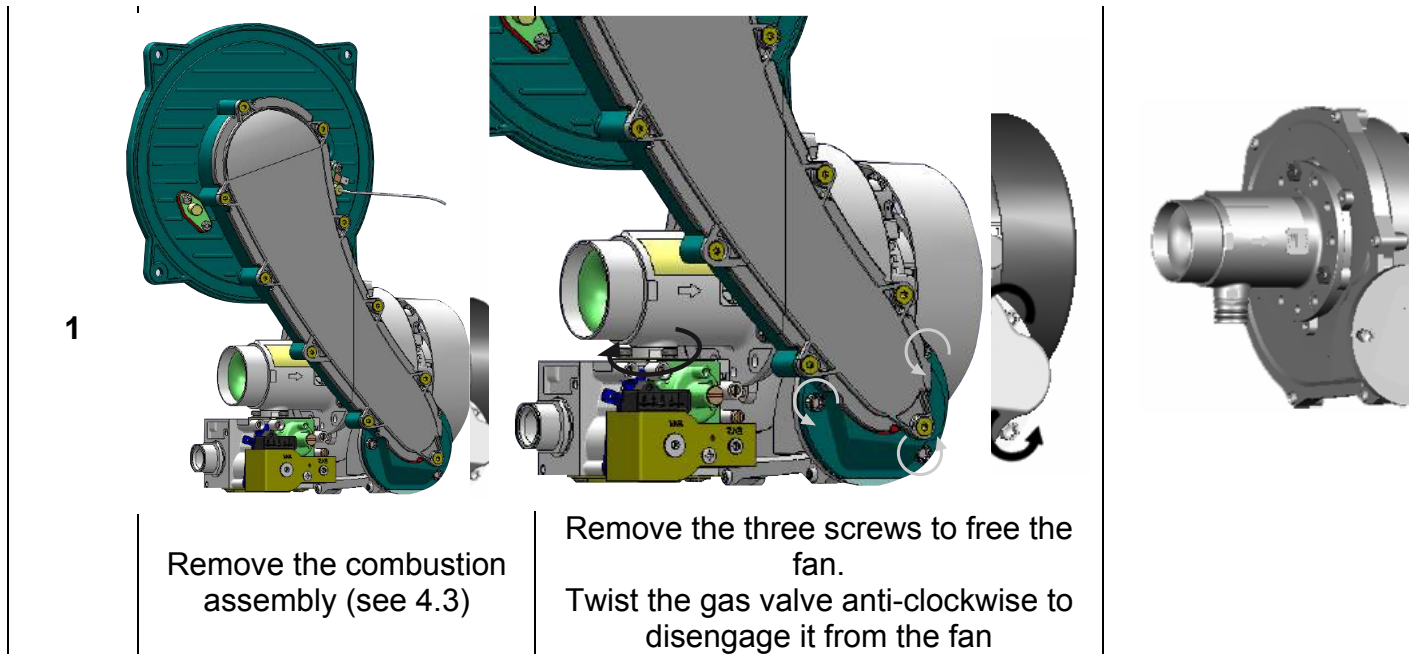
4.2 ELECTRODES		Time
Tools		 6 min
1	 <p>Unplug the electrodes</p>  <p>Remove the screws and pull the electrodes towards you</p>	



4.3 **BURNER**

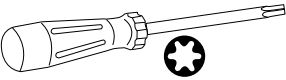


<b>BURNER</b>			
Tools		Time	 15 min
1	 <p style="text-align: center;">Remove the silencer</p>	 <p style="text-align: center;">Isolate the gas supply. Remove the four screws and disconnect the gas pipe from the gas valve</p>	 <p style="text-align: center;">Pull the assembly towards you</p>
2	 <p style="text-align: center;">Remove the screws to free the burner door</p>	 <p style="text-align: center;">Remove the three screws Pull the burner toward you Replace any gaskets that are damaged or showing signs of deterioration</p>	

4.4 FAN

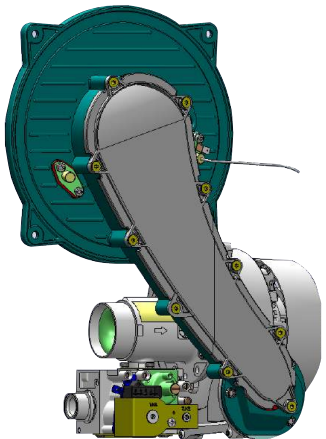


Fan & mixer venturi according to the model		
Power	Fan	Venturi diameter
24 kW	EBM RG 128 45 W	ø 17 mm

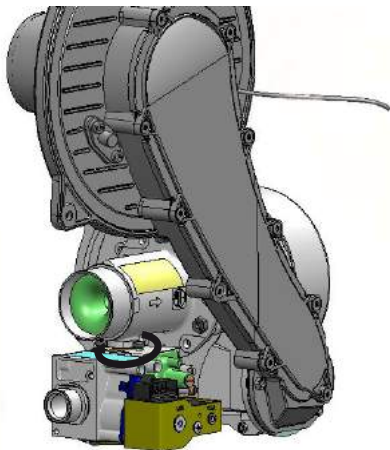
4.5 GAS VALVE

**Tools**   

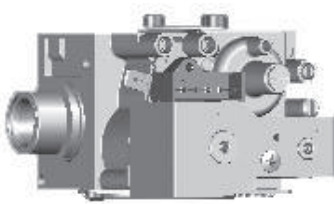
**Time**  15 min

**1** 

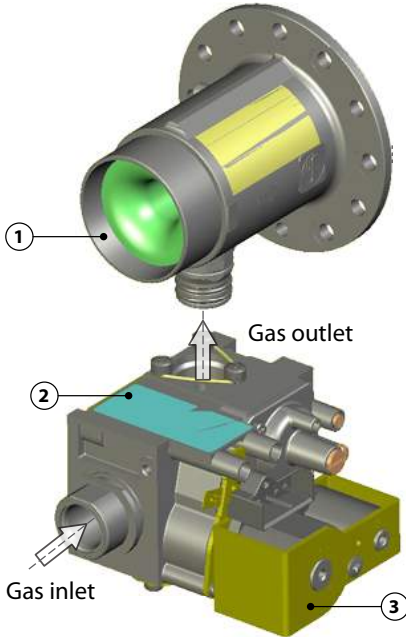
Remove the combustion assembly (see 4.3)



Twist the gas valve anti-clockwise to disengage it from the fan




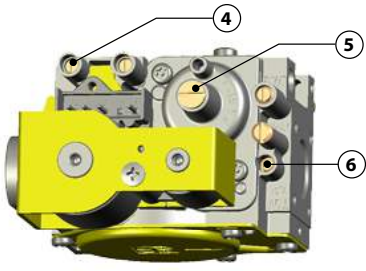
Replacement Gas Valves are not factory set and will need to be set up



Gas outlet

Gas inlet





LEGEND
1. Venturi
2. Gas valve
3. Solenoids
4. Inlet test nipple
5. Offset adjustment
6. Throttle adjustment

## 5 ANNUAL MAINTENANCE

### Ignition & detection electroded

Maintenance Interval : Annually  
 How : Visual inspection / Clean as necessary / Distance from the burner / Ionisation current more than 1  $\mu$ A



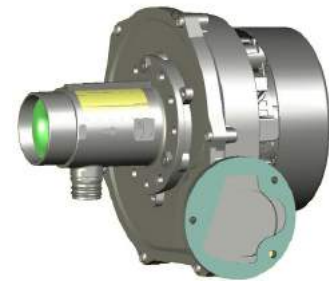
### Burner

Maintenance Interval : Annually  
 How : Visual inspection / Clean as necessary



### Fan

Maintenance Interval : Annually  
 How : Visual inspection / Clean as necessary



### Primary heat exchanger

Maintenance Interval : Annually  
 How : Visual inspection / Clean as necessary



### Condensate trap

Maintenance Interval : Annually  
 or after cleaning primary heat exchanger  
 How : Visual inspection / Clean as necessary /  
 Add water before replacing




GENERAL NOTE	<b>Model CLAS HER</b>			<b>24 EU</b>
	CE Certification (pin)			0085BR0347
	Boiler type			B23-B23p-B33 C13-C33-C43-C53-C83
POWER SPECIFICATIONS	Max/min nominal calorific flow rate (Pci)	Qn	kW	24.6/5.3
	Max/min nominal calorific flow rate (Pcs)	Qn	kW	27.3/5.9
	Max/min power output (80°C-60°C)	Pn	kW	24.1/5.0
	Max/min power output (50°C-30°C)	Pn	kW	26.0/5.4
	Combustion efficiency (of flue gas)		%	97.5
	Nominal calorific flow rate efficiency (60/80°C) Hi/Hs		%	98.2/88.4
	Nominal calorific flow rate efficiency (30/50°C) (condensation) Hi/Hs		%	105.7/95.2
	Efficiency at 30% at 30°C (condensation) Hi/Hs		%	109.0/98.1
	Efficiency at 30% at 47°C Hi/Hs		%	103.7/93.4
	Minimum calorific flow rate efficiency (60/80°C) Hi/Hs		%	94.3/84.9
	Efficiency rating (dir. 92/42/EEC)		stars	****
	Sedbuk Band Rating		band/%	A / 90.3
	Loss when stopped ( $\Delta T = 50^{\circ}\text{C}$ )		%	0.2
	Loss of burner gas when operating		%	2.5
EMISSIONS	Available air pressure		Pa	137
	NoX class (less than 70mg/kWh)		class	5
	Flue gas temperature (G20) (80°C-60°C)		°C	72
	CO2 content (G20) (80°C-60°C)		%	9.0
	CO content (0%O2) (80°C-60°C)		ppm	< 180
	O2 content (G20) (80°C-60°C)		%	4.0
	Maximum flue gas flow (G20) (80°C-60°C)		Kg/h	39.4
	Excess air (80°C-60°C)		%	23
HEATING CIRCUIT	Minimum/Maximum heating pressure		bar	0,2/3
	Min/max heating temperature (high temperature range)		°C	35/82
	Min/max heating temperature (low temperature range)		°C	20/45
ELECTRICAL	Power supply frequency/voltage		V/Hz	230/50
	Total electrical power absorbed		W	144
	Minimum ambient temperature for use		°C	+5
	Protection level for the electrical appliance		IP	X5D
	Weight		kg	23

## TECHNICAL DATA

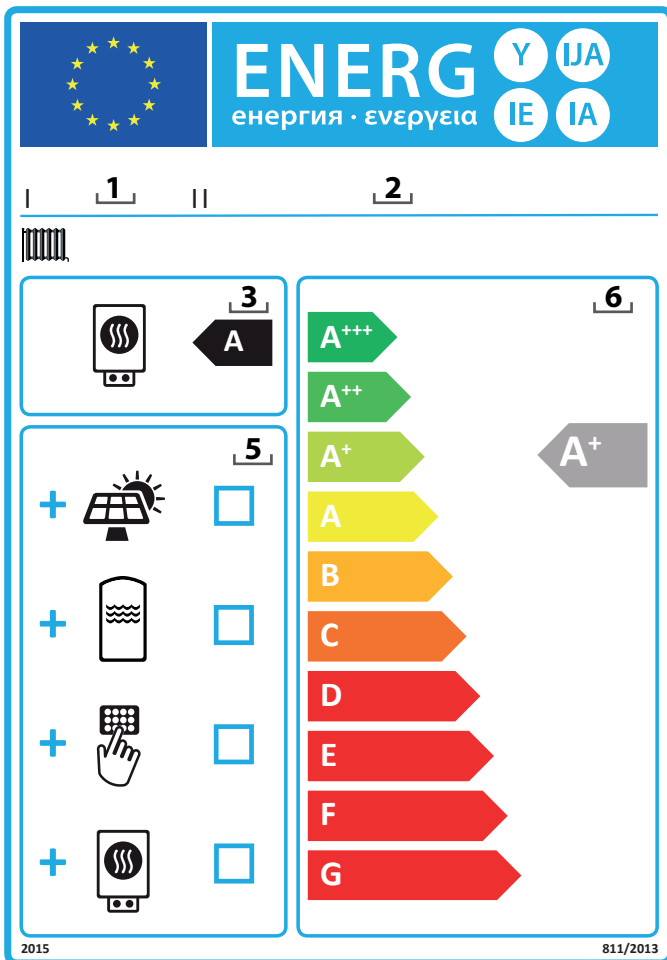
### ErP Data - EU 813/2013

Model: <b>CLAS HE R</b>		<b>24 EU</b>
Condensing boiler	yes/no	yes
Low-temperature boiler:	yes/no	no
B1 boiler	yes/no	no
Cogeneration space heater	yes/no	no
Combination heater	yes/no	no
Contact details (Name and address of the manufacturer or its authorised representative)		ARISTON THERMO S.p.A. Viale A. Merloni 45 60044 FABRIANO AN - ITALIA
<b>ErP HEATING</b>		
Power output $P_n$	kW	24
Useful heat output at rated heat output and high-temperature regime $P_4$	kW	24,2
Useful heat output at 30 % of rated heat output and low-temperature regime (Return temperature 30°C) $P_1$	kW	7,2
Seasonal space heating energy efficiency $\eta_s$	%	93
Useful efficiency at rated heat output and high-temperature regime (60-80°C) $\eta_4$	%	88,5
Useful efficiency at 30 % of rated heat output and low-temperature regime (Return temperature 30°C) $\eta_1$	%	98,2
<b>AUXILIARY ELECTRICITY CONSUMPTION</b>		
At full load $e_{lmax}$	kW	0,031
At part load $e_{lmin}$	kW	0,017
In standby mode $P_{SB}$	kW	0,004
<b>OTHER ITEMS</b>		
Standby heat loss $P_{stby}$	kW	0,054
Ignition burner power consumption $P_{ign}$	kW	0,000
Sound power level, indoors $L_{WA}$	dB	52
Emissions of nitrogen oxides NOx	mg/kWh	56

### PRODUCT FICHE - EU 811/2013

Brand	<b>ARISTON</b>	
Model	<b>CLAS HE R</b>	
	<b>24 EU</b>	
Seasonal space heating energy efficiency class		
Power output $P_n$	kW	24
Seasonal space heating energy efficiency $\eta_s$	%	93
Annual energy consumption $Q_{HE}$	GJ	46
Sound power level, indoors $L_{WA}$	dB	52

Package fiche



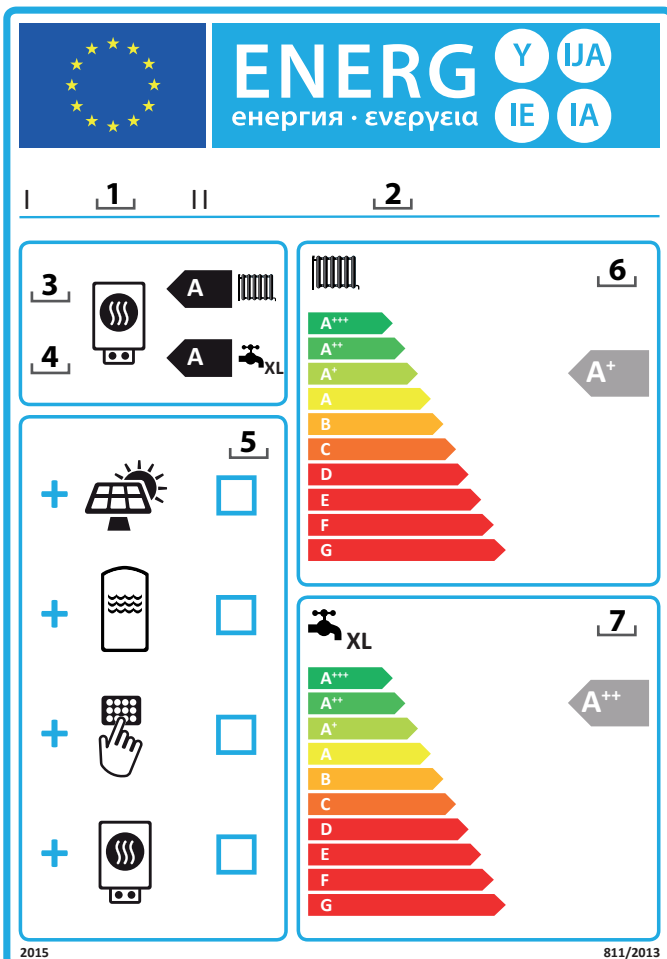
**Instructions for filling the label for packages of space heater (or combination heater), temperature control and solar device.**

1. supplier's name or trademark;
2. supplier's model identifier;
3. the seasonal space heating energy efficiency class of the space heater, already filled;
4. the seasonal space heating and water heating energy efficiency classes of the combination heater already filled;
5. Indication of whether a solar collector, hot water storage tank, temperature control and/or supplementary heater, may be included in the package of combination heater, temperature control and solar device;
6. the seasonal space heating energy efficiency class of the package of combination heater, temperature control and solar device, determined in accordance with the figure 1 in the following pages.

The head of the arrow containing the seasonal space heating energy efficiency class of the package of combination heater, temperature control and solar device shall be placed at the same height as the head of the relevant energy efficiency class;

7. the water heating energy efficiency class of the package of combination heater, temperature control and solar device, determined in accordance with the figure 5 in the following pages.

The head of the arrow containing the water heating energy efficiency class of the package of combination heater, temperature control and solar device shall be placed at the same height as the head of the relevant energy efficiency class.



### PACKAGES OF COMBINATION HEATER, TEMPERATURE CONTROL AND SOLAR DEVICE

The fiche for packages of combination heater, temperature control and solar device shall contain the elements set out in points (a) and (b):

a) the elements set out in Figure 1, respectively, for evaluating the seasonal space heating energy efficiency of a package of combination heater, temperature control and solar device, including the following information:

- I: the value of the seasonal space heating energy efficiency of the preferential combination heater, expressed in %;
- II: the factor for weighting the heat output of the preferential and supplementary heaters of a package (see COMMISSION DELEGATED REGULATION (EU) No 811/2013 - annex IV - 6.a);
- III: the value of the mathematical expression:  $294/(11 \cdot Prated)$ , whereby Prated is related to the preferential combination heater;
- IV: the value of the mathematical expression  $115/(11 \cdot Prated)$ , whereby Prated is related to the preferential combination heater;

in addition, for preferential heat pump combination heaters:

- V: the value of the difference between the seasonal space heating energy efficiencies under average and colder climate conditions, expressed in %;
- VI: the value of the difference between the seasonal space heating energy efficiencies under warmer and average climate conditions, expressed in %;

(b) the elements set out in Figure 5 for evaluating the water heating energy efficiency of a package of combination heater, temperature control and solar device, where the following information shall be included:

- I: the value of the water heating energy efficiency of the combination heater, expressed in %;
- II: the value of the mathematical expression  $(220 \cdot Q_{ref})/Q_{nonsol}$ , where  $Q_{ref}$  is taken from Table 15 in Annex VII of the COMMISSION DELEGATED REGULATION (EU) N. 811/2013 and  $Q_{nonsol}$  from the product fiche of the solar device for the declared load profile M, L, XL or XXL of the combination heater;
- III: the value of the mathematical expression  $(Q_{aux} \cdot 2,5)/(220 \cdot Q_{ref})$ , expressed in %, where  $Q_{aux}$  is taken from the product fiche of the solar device and  $Q_{ref}$  from Table 15 in Annex VII of the COMMISSION DELEGATED REGULATION (EU) N. 811/2013 for the declared load profile M, L, XL or XXL.





Figure 1

Seasonal space heating energy efficiency of boiler ①  
 %

---

Temperature control ②  
 From fiche of temperature control +  %

Class  
 I = 1%, II = 2%, III = 1,5%, IV = 2%,  
 V = 3%, VI = 4 %, VII = 3,5%, VIII = 5%

---

Supplementary boiler ③  
 From fiche of boiler ±  %

Seasonal space heating energy efficiency (in %)

(  - 'I' ) x 0,1 =

---

Solar contribution - From fiche of solar device ④

Collector size ( in m<sup>2</sup> )

Tank volume ( in m<sup>3</sup> )

Collector efficiency ( in % )

Tank rating  
 A\* = 0,95, A = 0,91,  
 B = 0,86, C = 0,83, D-G = 0,81

( 'III' x  + 'IV' x  ) x 0,9 x (  /100 ) x  = +  %

---

Supplementary heat pump ⑤  
 From fiche of heat pump +  %

Seasonal space heating energy efficiency (in %)

(  - 'I' ) x 'II' =

---

Solar contribution and supplementary heat pump ⑥

Select smaller value -  %

0,5 x  OR 0,5 x  =

---

Seasonal space heating energy efficiency of package ⑦  
 %

---

Seasonal space heating energy efficiency class of package

<input type="checkbox"/>	<input type="checkbox"/>	<input type="checkbox"/>	<input type="checkbox"/>	<input type="checkbox"/>	<input type="checkbox"/>	<input type="checkbox"/>	<input type="checkbox"/>	<input type="checkbox"/>	<input type="checkbox"/>
<b>G</b>	<b>F</b>	<b>E</b>	<b>D</b>	<b>C</b>	<b>B</b>	<b>A</b>	<b>A<sup>+</sup></b>	<b>A<sup>++</sup></b>	<b>A<sup>+++</sup></b>
< 30%	≥ 30 %	≥ 34 %	≥ 36 %	≥ 75 %	≥ 82 %	≥ 90 %	≥ 98 %	≥ 125 %	≥ 150%

---

Boiler and supplementary heat pump installed with low temperature heat emitters at 35 °C?  
 From fiche of heat pump ⑦

+ (50 x 'II') =  %

The energy efficiency of the package of products provided for this fiche may not correspond to its actual energy efficiency once installed in a building, as the efficiency is influenced by further factors such as heat loss in the distribution system and the dimensioning of the products in relation to building size and characteristics.

## TECHNICAL DATA



Figure 5

Water heating energy efficiency of combination heater

Declared load profile:

<sup>1</sup>  
'I' %

Solar contribution - From fiche of solar device

Auxiliary electricity

$$(1,1 \times 'I' - 10\%) \times 'II' - 'III' - 'I' = + \text{[ ]} \%$$

Water heating energy efficiency of package under average climate

<sup>3</sup>  
[ ] %

Water heating energy efficiency class of package under average climate

		<input type="checkbox"/>	<input type="checkbox"/>	<input type="checkbox"/>	<input type="checkbox"/>	<input type="checkbox"/>	<input type="checkbox"/>	<input type="checkbox"/>	<input type="checkbox"/>	<input type="checkbox"/>	
		G	F	E	D	C	B	A	A <sup>+</sup>	A <sup>++</sup>	A <sup>+++</sup>
<input type="checkbox"/> M	< 27 %	≥ 27 %	≥ 30 %	≥ 33 %	≥ 36 %	≥ 39 %	≥ 65 %	≥ 100 %	≥ 130 %	≥ 163 %	
<input type="checkbox"/> L	< 27 %	≥ 27 %	≥ 30 %	≥ 34 %	≥ 37 %	≥ 50 %	≥ 75 %	≥ 115 %	≥ 150 %	≥ 188 %	
<input type="checkbox"/> XL	< 27 %	≥ 27 %	≥ 30 %	≥ 35 %	≥ 38 %	≥ 55 %	≥ 80 %	≥ 125 %	≥ 160 %	≥ 200 %	
<input type="checkbox"/> XXL	< 28 %	≥ 28 %	≥ 32 %	≥ 36 %	≥ 40 %	≥ 60 %	≥ 85 %	≥ 131 %	≥ 170 %	≥ 213 %	

Water heating energy efficiency under colder and warmer climate conditions

Colder: <sup>3</sup> [ ] - 0,2 x <sup>2</sup> [ ] = [ ] %

Warmer: <sup>3</sup> [ ] + 0,4 x <sup>2</sup> [ ] = [ ] %

The energy efficiency of the package of products provided for this fiche may not correspond to its actual energy efficiency once installed in a building, as the efficiency is influenced by further factors such as heat loss in the distribution system and the dimensioning of the products in relation to building size and characteristics.

# GAS BOILER SYSTEM COMMISSIONING CHECKLIST

This Commissioning Checklist is to be completed in full by the competent person who commissioned the boiler as a means of demonstrating compliance with the appropriate Building Regulations and then handed to the customer to keep for future reference.

Failure to install and commission according to the manufacturer's instructions and complete this Benchmark Commissioning Checklist will invalidate the warranty. This does not affect the customer's statutory rights.

Customer name:				Telephone number:					
Address:									
Boiler make and model:									
Boiler serial number:									
Commissioned by (PRINT NAME):				Gas Safe register number:					
Company name:				Telephone number:					
Company address:									
				Commissioning date:					
<b>To be completed by the customer on receipt of a Building Regulations Compliance Certificate*</b>									
Building Regulations Notification Number (if applicable):									
<b>CONTROLS</b> (tick the appropriate boxes)									
Time and temperature control to heating	Room thermostat and programmer/timer			Programmable room thermostat					
	Load/weather compensation			Optimum start control					
Time and temperature control to hot water	Cylinder thermostat and programmer/timer			Combination Boiler					
Heating zone valves	Fitted			Not required					
Hot water zone valves	Fitted			Not required					
Thermostatic radiator valves	Fitted			Not required					
Automatic bypass to system	Fitted			Not required					
Boiler interlock				Provided					
<b>ALL SYSTEMS</b>									
The system has been flushed and cleaned in accordance with BS7593 and boiler manufacturer's instructions							Yes		
What system cleaner was used?									
What inhibitor was used?							Quantity	litres	
Has a primary water system filter been installed?							Yes	No	
<b>CENTRAL HEATING MODE</b> measure and record:									
Gas rate	m <sup>3</sup> /hr			<b>OR</b>		ft <sup>3</sup> /hr			
Burner operating pressure (if applicable)	mbar			<b>OR Gas inlet pressure</b>		mbar			
Central heating flow temperature							°C		
Central heating return temperature							°C		
<b>COMBINATION BOILERS ONLY</b>									
Is the installation in a hard water area (above 200ppm)?							Yes	No	
If yes, and if required by the manufacturer, has a water scale reducer been fitted?							Yes	No	
What type of scale reducer has been fitted?									
<b>DOMESTIC HOT WATER MODE</b> Measure and Record:									
Gas rate	m <sup>3</sup> /hr			<b>OR</b>		ft <sup>3</sup> /hr			
Burner operating pressure (at maximum rate)	mbar			<b>OR Gas inlet pressure at maximum rate</b>		mbar			
Cold water inlet temperature							°C		
Hot water has been checked at all outlets							Yes	Temperature	°C
Water flow rate							l/min		
<b>CONDENSING BOILERS ONLY</b>									
The condensate drain has been installed in accordance with the manufacturer's instructions and/or BS5546/BS6798							Yes		
<b>ALL INSTALLATIONS</b>									
Record the following:	At max. rate:	CO	ppm	<b>AND</b>	CO/CO <sub>2</sub>	Ratio			
	At min. rate: (where possible)	CO	ppm	<b>AND</b>	CO/CO <sub>2</sub>	Ratio			
The heating and hot water system complies with the appropriate Building Regulations							Yes		
The boiler and associated products have been installed and commissioned in accordance with the manufacturer's instructions							Yes		
The operation of the boiler and system controls have been demonstrated to and understood by the customer							Yes		
The manufacturer's literature, including Benchmark Checklist and Service Record, has been explained and left with the customer							Yes		
Commissioning Engineer's Signature									
Customer's Signature									
(To confirm satisfactory demonstration and receipt of manufacturer's literature)									

\*All installations in England and Wales must be notified to Local Authority Building Control (LABC) either directly or through a Competent Persons Scheme. A Building Regulations Compliance Certificate will then be issued to the customer.



# SERVICE RECORD

It is recommended that your heating system is serviced regularly and that the appropriate Service Interval Record is completed.

## Service Provider

Before completing the appropriate Service Record below, please ensure you have carried out the service as described in the manufacturer's instructions. Always use the manufacturer's specified spare part when replacing controls.

<b>SERVICE 01</b>		Date:	
Engineer name:			
Company name:			
Telephone No:			
Gas safe register No:			
Record:	At max. rate:	CO ppm	<b>AND</b> CO <sub>2</sub> %
	At min. rate: (Where Possible)	CO ppm	<b>AND</b> CO <sub>2</sub> %
Comments:			
Signature			

<b>SERVICE 02</b>		Date:	
Engineer name:			
Company name:			
Telephone No:			
Gas safe register No:			
Record:	At max. rate:	CO ppm	<b>AND</b> CO <sub>2</sub> %
	At min. rate: (Where Possible)	CO ppm	<b>AND</b> CO <sub>2</sub> %
Comments:			
Signature			

<b>SERVICE 03</b>		Date:	
Engineer name:			
Company name:			
Telephone No:			
Gas safe register No:			
Record:	At max. rate:	CO ppm	<b>AND</b> CO <sub>2</sub> %
	At min. rate: (Where Possible)	CO ppm	<b>AND</b> CO <sub>2</sub> %
Comments:			
Signature			

<b>SERVICE 04</b>		Date:	
Engineer name:			
Company name:			
Telephone No:			
Gas safe register No:			
Record:	At max. rate:	CO ppm	<b>AND</b> CO <sub>2</sub> %
	At min. rate: (Where Possible)	CO ppm	<b>AND</b> CO <sub>2</sub> %
Comments:			
Signature			

<b>SERVICE 05</b>		Date:	
Engineer name:			
Company name:			
Telephone No:			
Gas safe register No:			
Record:	At max. rate:	CO ppm	<b>AND</b> CO <sub>2</sub> %
	At min. rate: (Where Possible)	CO ppm	<b>AND</b> CO <sub>2</sub> %
Comments:			
Signature			

<b>SERVICE 06</b>		Date:	
Engineer name:			
Company name:			
Telephone No:			
Gas safe register No:			
Record:	At max. rate:	CO ppm	<b>AND</b> CO <sub>2</sub> %
	At min. rate: (Where Possible)	CO ppm	<b>AND</b> CO <sub>2</sub> %
Comments:			
Signature			

<b>SERVICE 07</b>		Date:	
Engineer name:			
Company name:			
Telephone No:			
Gas safe register No:			
Record:	At max. rate:	CO ppm	<b>AND</b> CO <sub>2</sub> %
	At min. rate: (Where Possible)	CO ppm	<b>AND</b> CO <sub>2</sub> %
Comments:			
Signature			

<b>SERVICE 08</b>		Date:	
Engineer name:			
Company name:			
Telephone No:			
Gas safe register No:			
Record:	At max. rate:	CO ppm	<b>AND</b> CO <sub>2</sub> %
	At min. rate: (Where Possible)	CO ppm	<b>AND</b> CO <sub>2</sub> %
Comments:			
Signature			

<b>SERVICE 09</b>		Date:	
Engineer name:			
Company name:			
Telephone No:			
Gas safe register No:			
Record:	At max. rate:	CO ppm	<b>AND</b> CO <sub>2</sub> %
	At min. rate: (Where Possible)	CO ppm	<b>AND</b> CO <sub>2</sub> %
Comments:			
Signature			

<b>SERVICE 10</b>		Date:	
Engineer name:			
Company name:			
Telephone No:			
Gas safe register No:			
Record:	At max. rate:	CO ppm	<b>AND</b> CO <sub>2</sub> %
	At min. rate: (Where Possible)	CO ppm	<b>AND</b> CO <sub>2</sub> %
Comments:			
Signature			

\*All installations in England and Wales must be notified to Local Authority Building Control (LABC) either directly or through a Competent Persons Scheme. A Building Regulations Compliance Certificate will then be issued to the customer.











ITALIAN DESIGN

**Ariston Thermo UK Ltd**

Artisan Building  
Hillbottom Road  
High Wycombe  
Bucks HP124HJ  
Telephone: 01494 418500

[ariston.com/uk](http://ariston.com/uk)

Technical Advice: 0333 240 7777  
Customer Service: 0333 240 8777